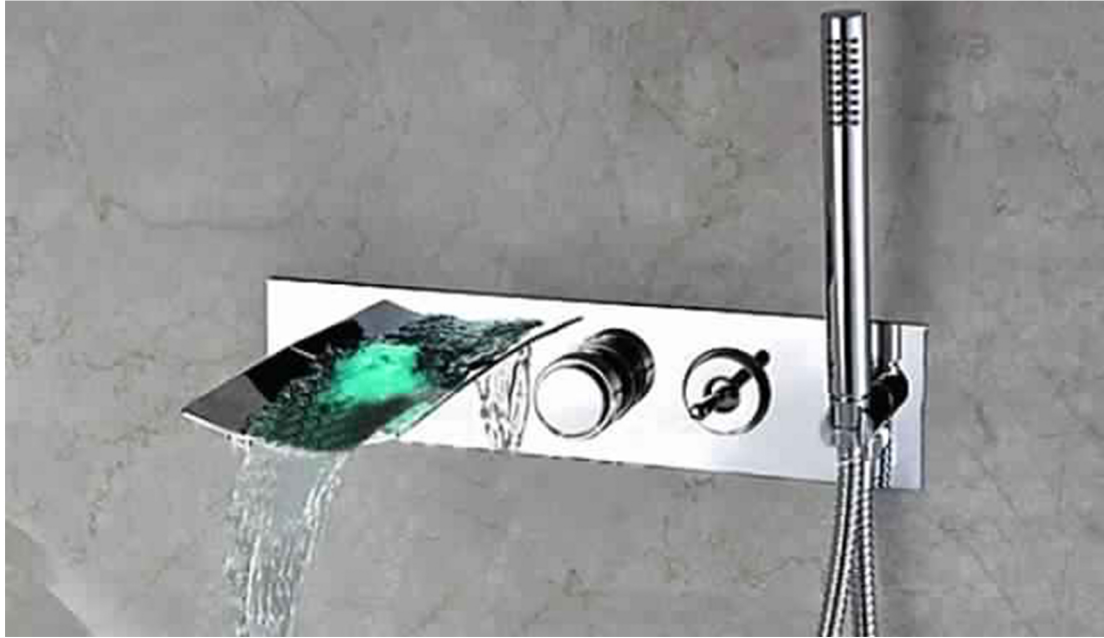


# MODERN WALL MOUNT W/ PULLOUT HAND SHOWER BATHTUB LED WATERFALL FAUCET INSTALLTION INSTRUCTIONS



## BEFORE YOU BEGIN

Before installing, read entire Installation Instructions. Observe all local building and safety codes.

For the following installation instructions for your new product it is assumed that any old fixtures have been removed and any repairs or modifications to the water supply have been completed. Unpack and inspect the product for any shipping damages. If you find damages, do not install.

Contact Customer Service at 703-378-1090. If you need assistance or have questions while installing your product, contact Customer Service.

We recommend consulting a professional if you are unfamiliar with installing bathroom fixtures.

## TOOLS REQUIRED\*



Plumber's Tape



Basin Wrench



Thread Sealant



Screwdriver



Adjustable Wrench

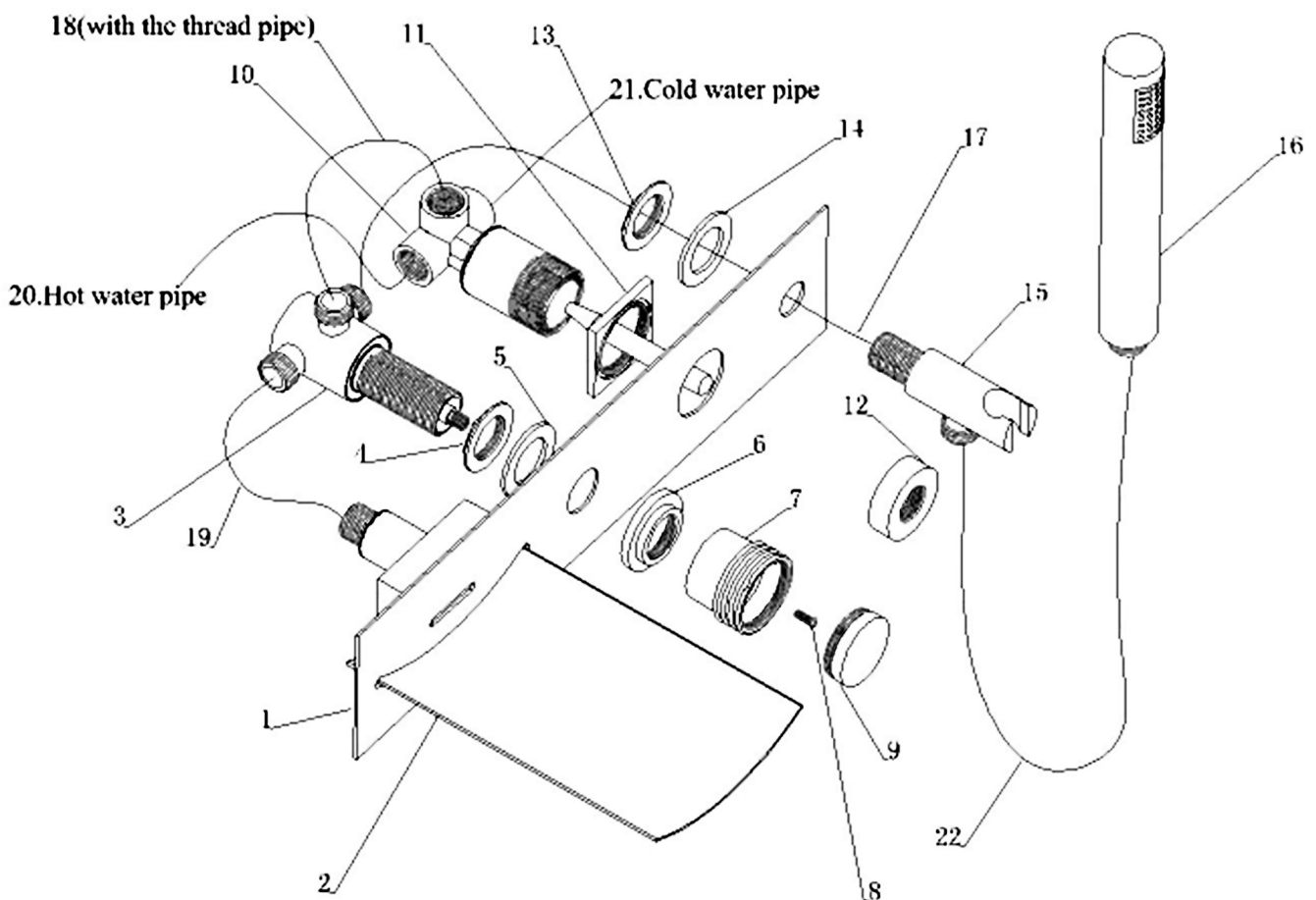


Hex Wrench

\*not included

## Installation Instructions:

1. Connect the flexible hoses (20) & (21) to the cold and hot water inlet.
2. Assemble the valve (3) with the handle (7) on the decoration board (1) through the nut (4), washer (5), screw decorative base (6), screw (8) and cap (9).
3. Assemble the valve (10) with the decorative cap (12) on the decoration board (1) through the nut (11).
4. Assemble the hand shower holder base (15) with decoration board (1) through washer (14) and screw nut (13).
5. Connect the pipes between (17), (18), (19) and (22) according to the picture.



## Specifications

Name	Size	Quantity
Spout		1
Nut		4
Threaded rod		2
G <sub>2</sub> <sup>1</sup> -G <sub>2</sub> <sup>1</sup> hose	0.5m	3
G <sub>2</sub> <sup>1</sup> -G <sub>2</sub> <sup>1</sup> connector		1
Washer	φ15.5xφ8.5x2mm	7
Hand-held showerhead		1
Shower hose	1.5m	1
Installation instruction		1

