

VALLADOLID WATERFALL BATHROOM SINK FAUCET W/ DRAIN INSTALLTION INSTRUCTIONS



BEFORE YOU BEGIN

Before installing, read entire Installation Instructions. Observe all local building and safety codes.

For the following installation instructions for your new product it is assumed that any old fixtures have been removed and any repairs or modifications to the water supply have been completed. Unpack and inspect the product for any shipping damages. If you find damages, do not install.

Contact Customer Service at 703-378-1915. If you need assistance or have questions while installing your product, contact Customer Service.

We recommend consulting a professional if you are unfamiliar with installing bathroom fixtures.

TOOLS REQUIRED*



Plumber's Tape



Basin Wrench



Thread Sealant



Screwdriver

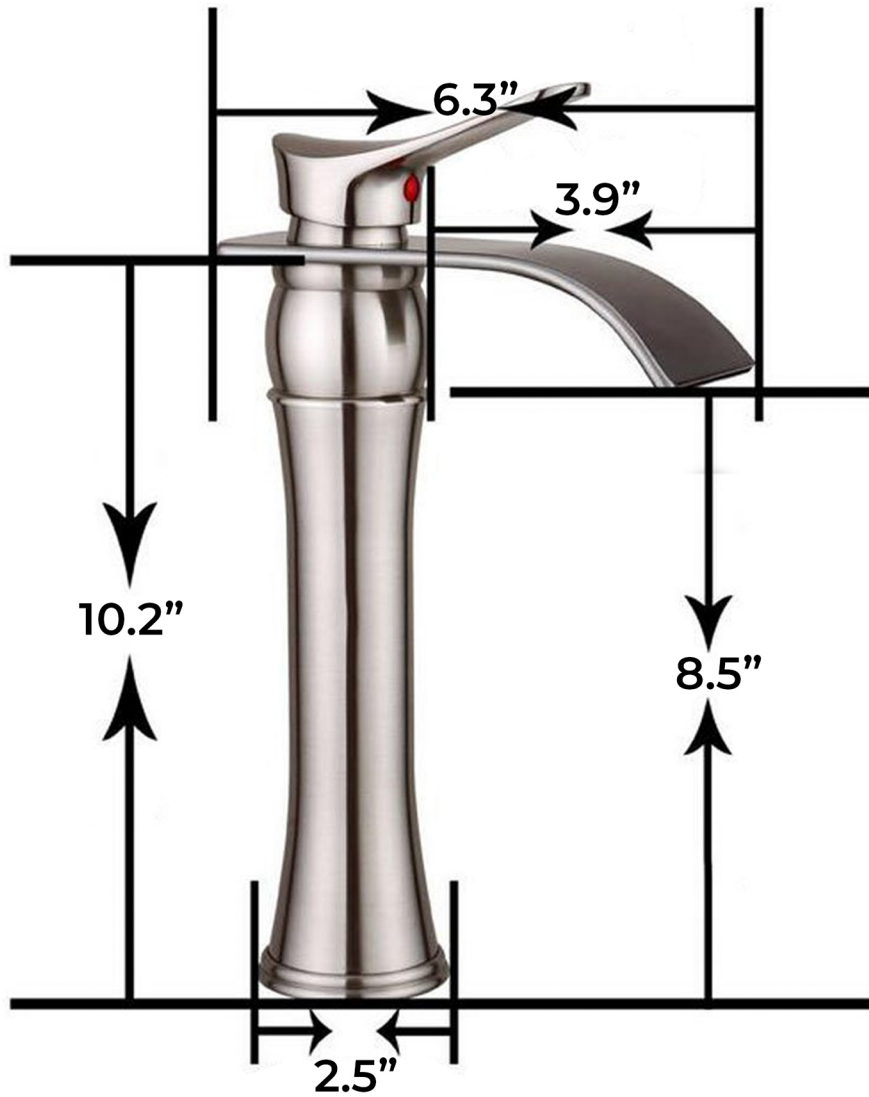


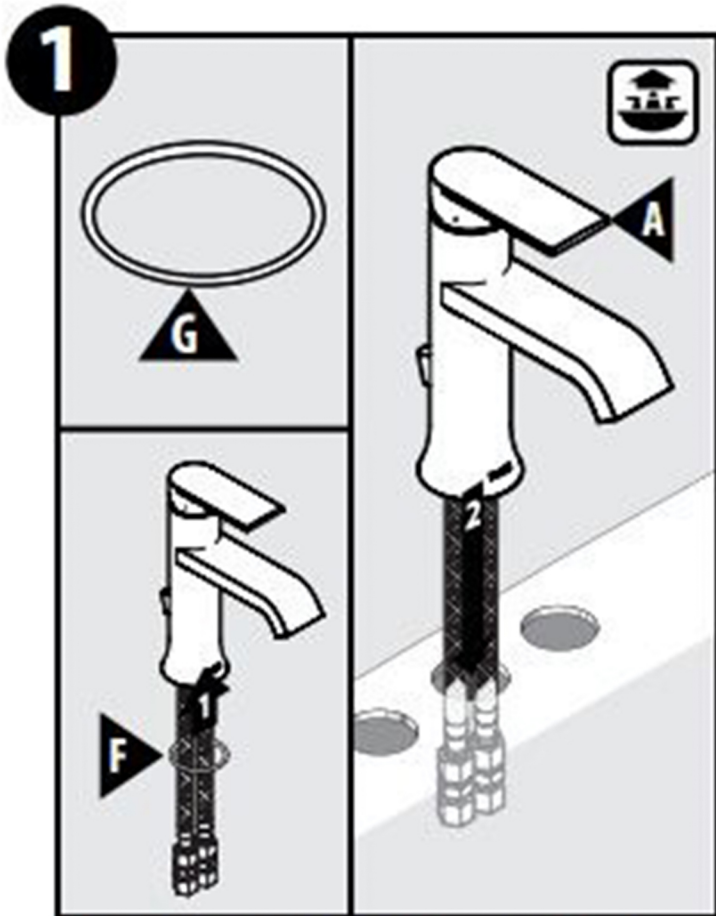
Adjustable Wrench



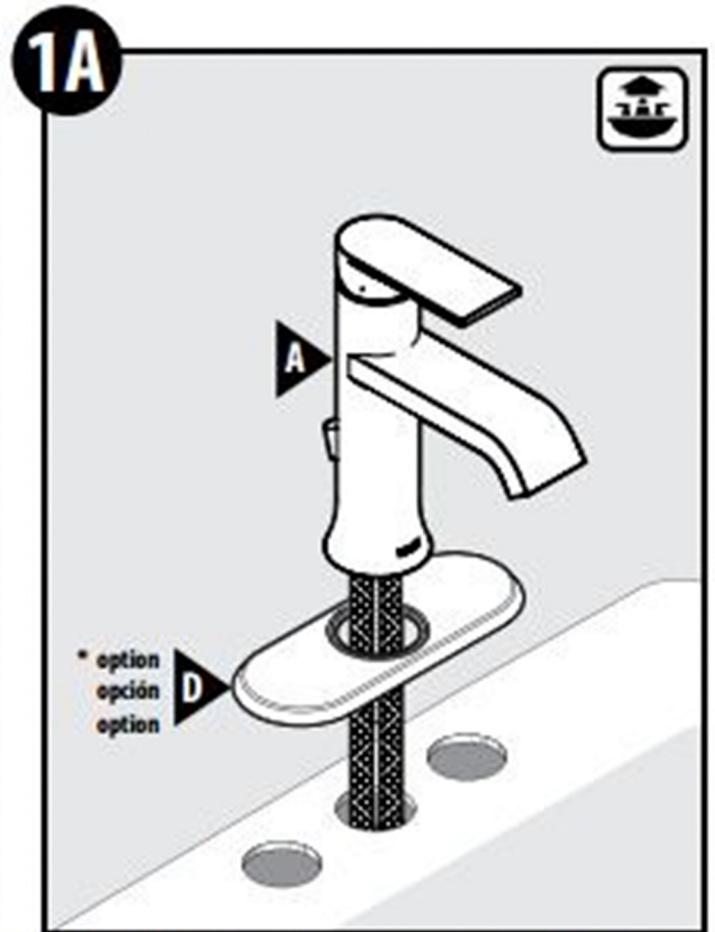
Hex Wrench

*not included

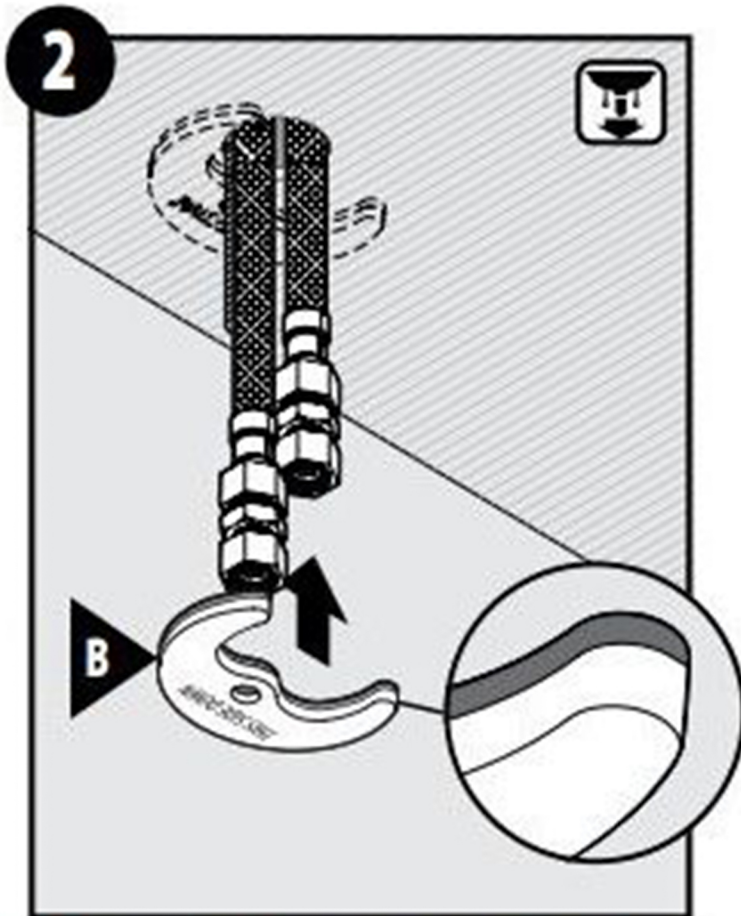




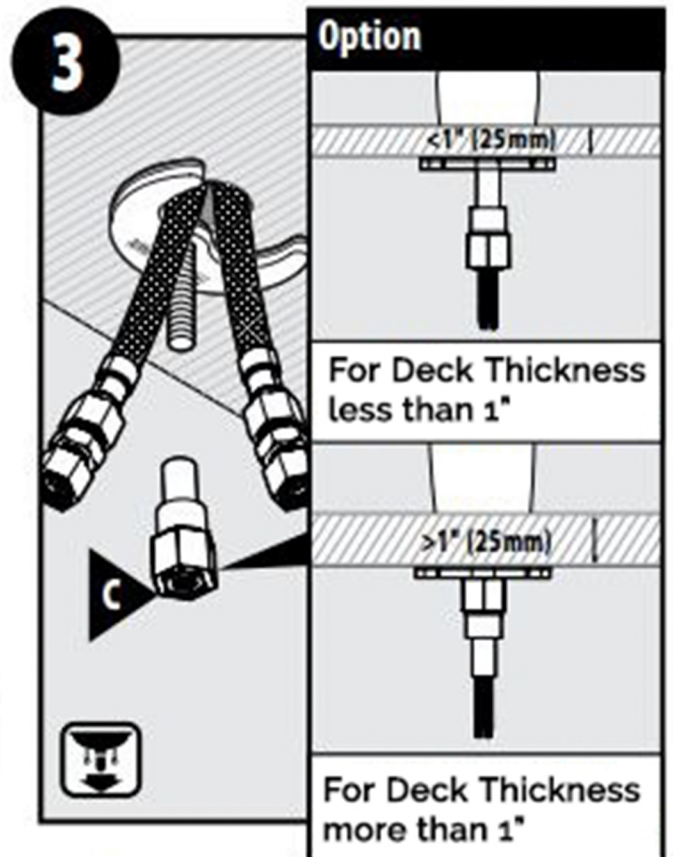
For single hole installations, place deck gasket (F) on the underside of the faucet body (A). Insert faucet into sink opening.



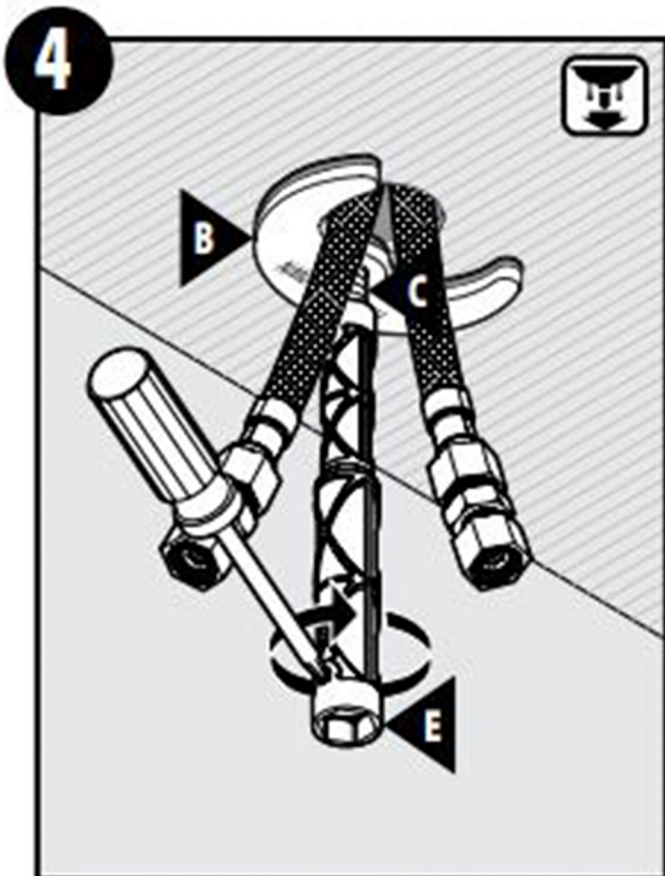
For 3 Hole Applications: Race Escutcheon (D) onto sink and insert faucet body (A) into opening.



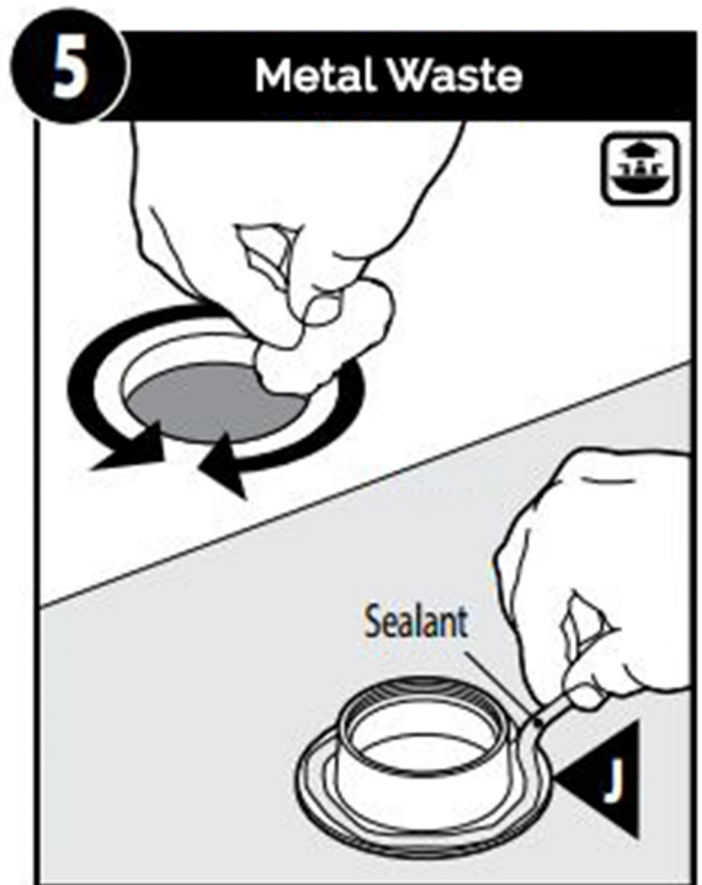
From below the sink, slide the mounting bracket (B) onto the threaded shank.



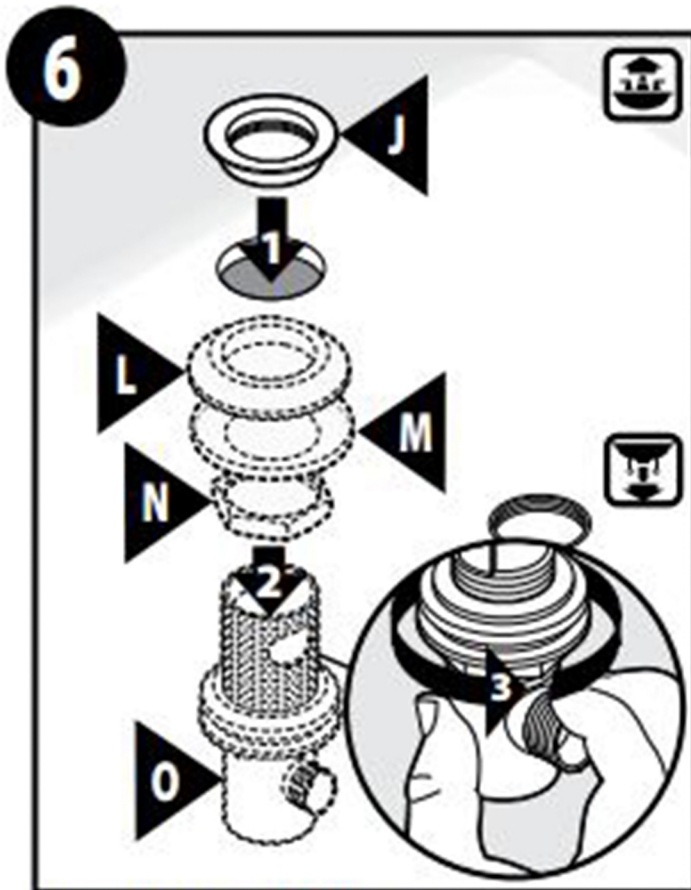
For sinks thinner than 1" attach the mounting nut (C) with the smaller end up as shown. For sinks thicker than 1" attach the mounting nut (C) with the larger end up as shown.



Place the small end of the mounting tool (E) onto the mounting nut (C) and tighten to secure the mounting bracket (B). Insert a screwdriver into the hole and tighten.



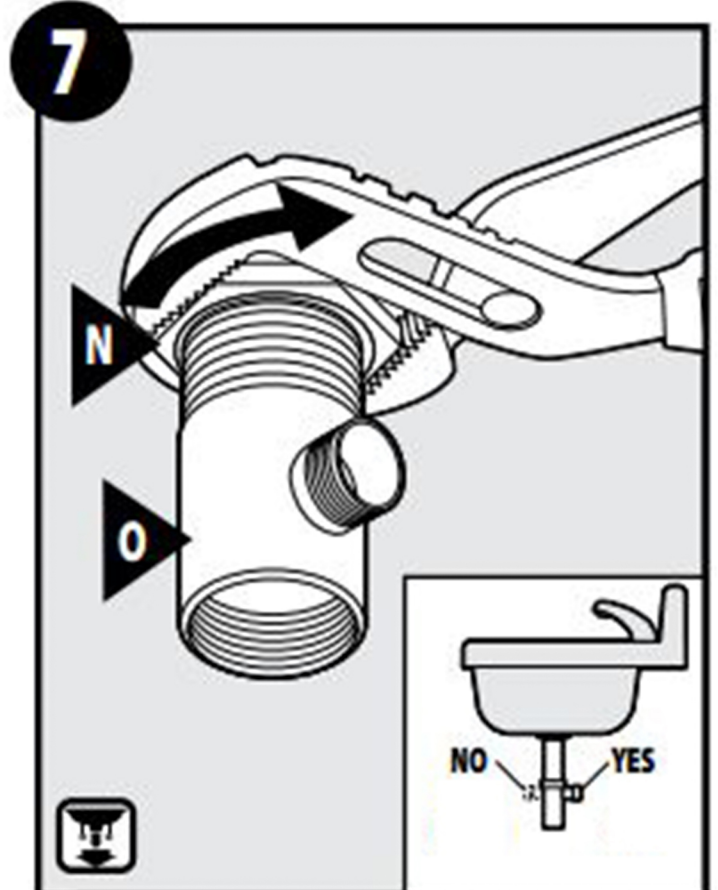
Clean/wipe sink drain area with soft cloth. Apply a head of sealant to underside of Drain Seat (K).



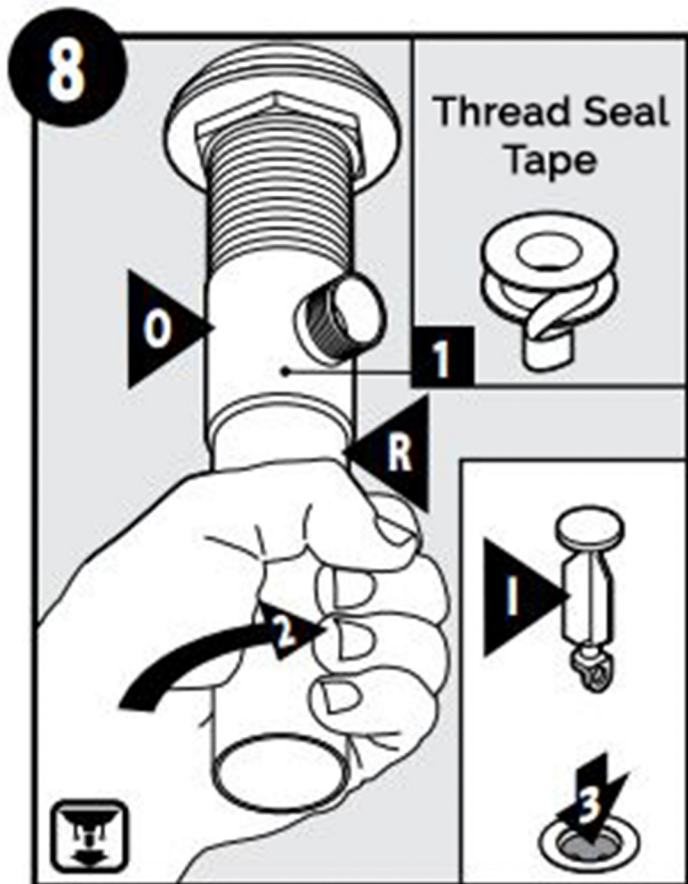
1) Insert Drain Seat (J) into sink opening.

2) Assemble Drain Gasket (L), Washer (M), and Drain Nut (N) onto Drain Body (O) from beneath sink opening. Attach to Drain Seat (J).

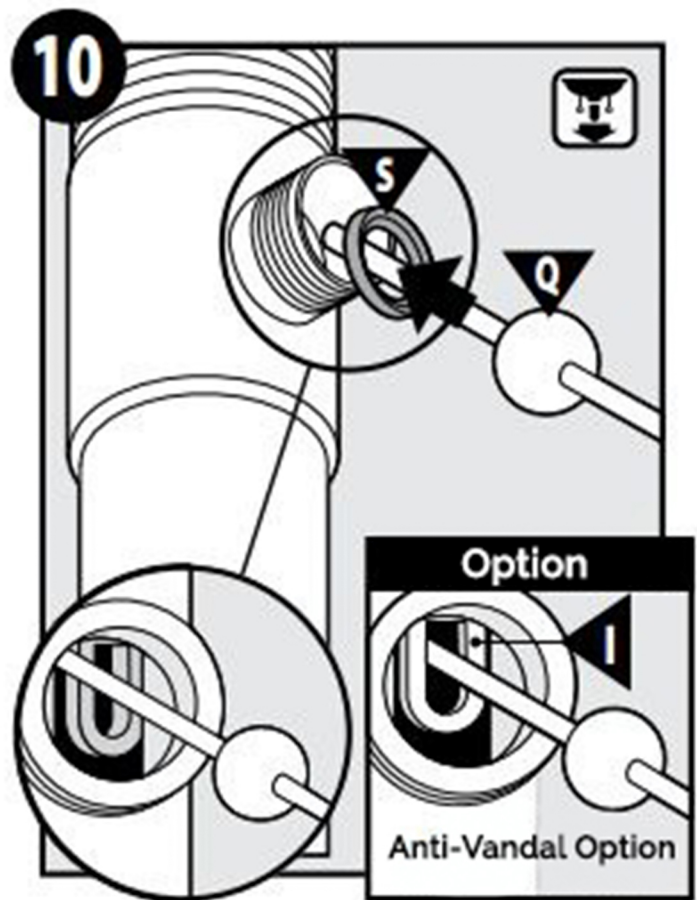
3) Hand tighten Drain Nut (N).



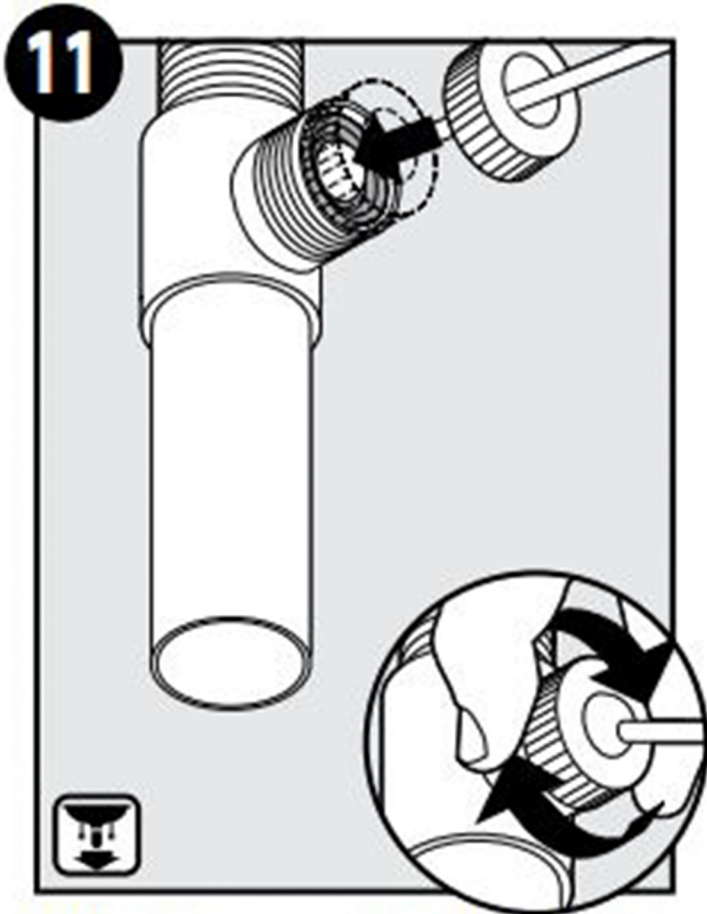
Using an adjustable wrench or channel locks, finish tightening Drain Nut (N). Ensure opening of Drain Body (O) is facing the back of the sink.



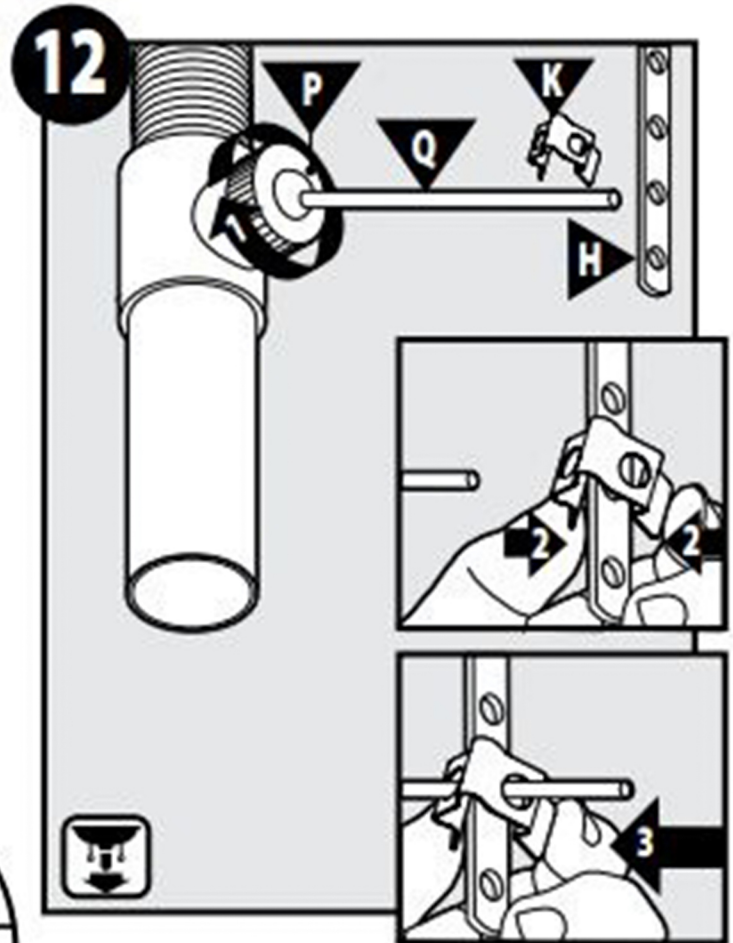
- 1) Apply thread seal tape to threads on Tail Piece (R).
- 2) Install Tail Piece (R) to Drain Body (O) and hand tighten.
- 3) Insert Drain Plug (I) into drain opening.



Verify that the white plastic pivot rod seal (S) is in place with beveled side facing out. The pivot rod (Q) can be installed two ways the illustration shows the pivot rod in the EASY CLEAN position which allows the plug to be pulled out for cleaning. The other option (Illustrated in the insert) shows the pivot rod installed in the VANDAL PROOF position. The end of the pivot rod (Q) is inserted into the opening at the bottom of the plug (I).

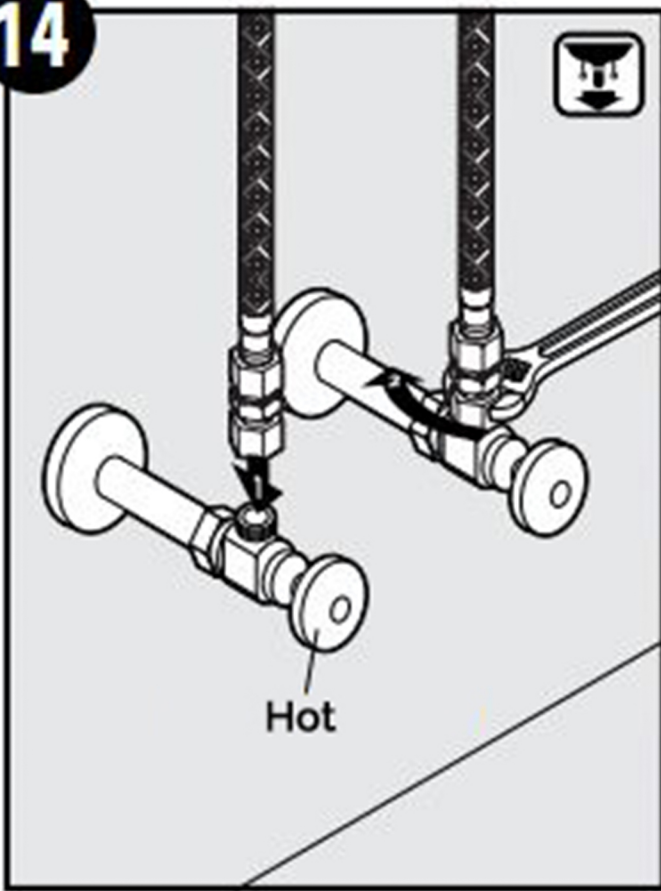


11 Insert pivot rod into opening and tighten pivot rod nut (P) finger tight.

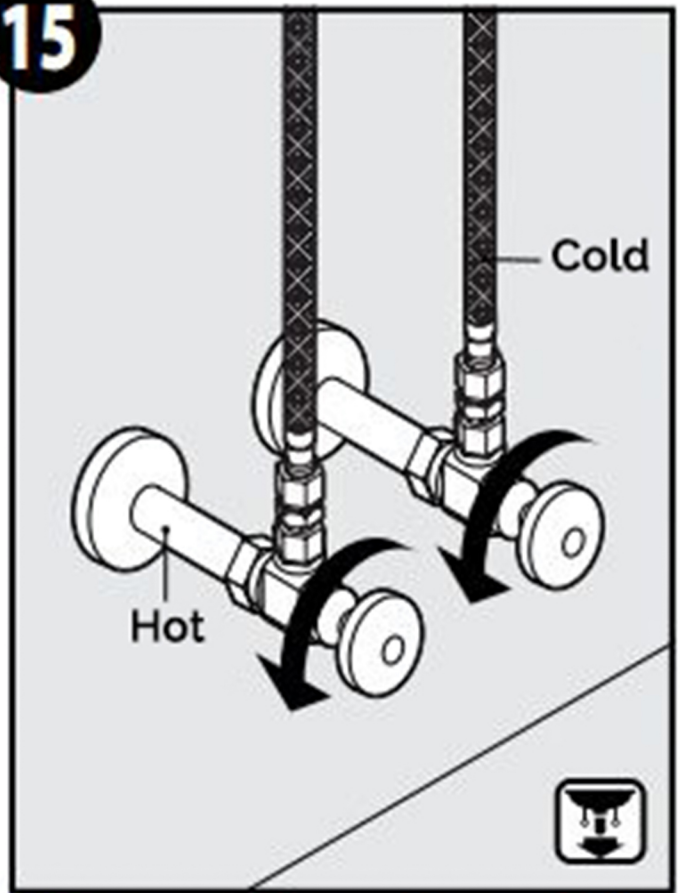


12 Slide one side of the pivot rod clip (K) onto the pivot rod (Q). Position the pivot rod strap (H) so the pivot rod (Q) passes through one side of the clip (K), through the closet hole on the pivot rod strap (H) and through the hole on the other side of the clip (K). Squeeze the ends of the clip (K) to adjust the positioning and let go to lock.

14



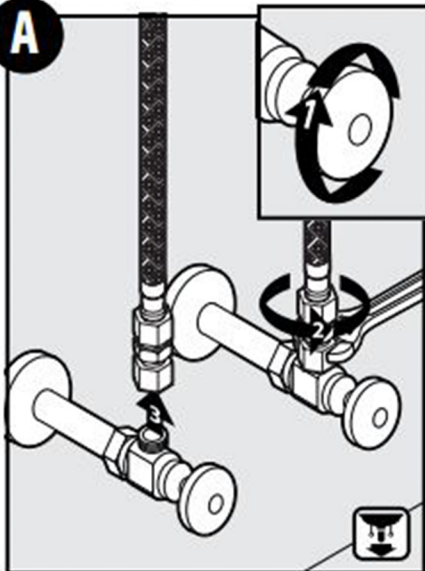
15



Turn on the water supply line valves on and check for leaks.

Reduced Flow
Turn off water supply

A



B

