

LATORI MULTIFUNCTION OIL RUBBED BRONZE WALL MOUNT BATHTUB FAUCET INSTALLTION INSTRUCTIONS



BEFORE YOU BEGIN

Before installing, read entire Installation Instructions. Observe all local building and safety codes.

For the following installation instructions for your new product it is assumed that any old fixtures have been removed and any repairs or modifications to the water supply have been completed. Unpack and inspect the product for any shipping damages. If you find damages, do not install.

Contact Customer Service at 703-378-2808. If you need assistance or have questions while installing your product, contact Customer Service.

We recommend consulting a professional if you are unfamiliar with installing bathroom fixtures.

TOOLS REQUIRED*



Plumber's Tape



Basin Wrench



Thread Sealant



Screwdriver



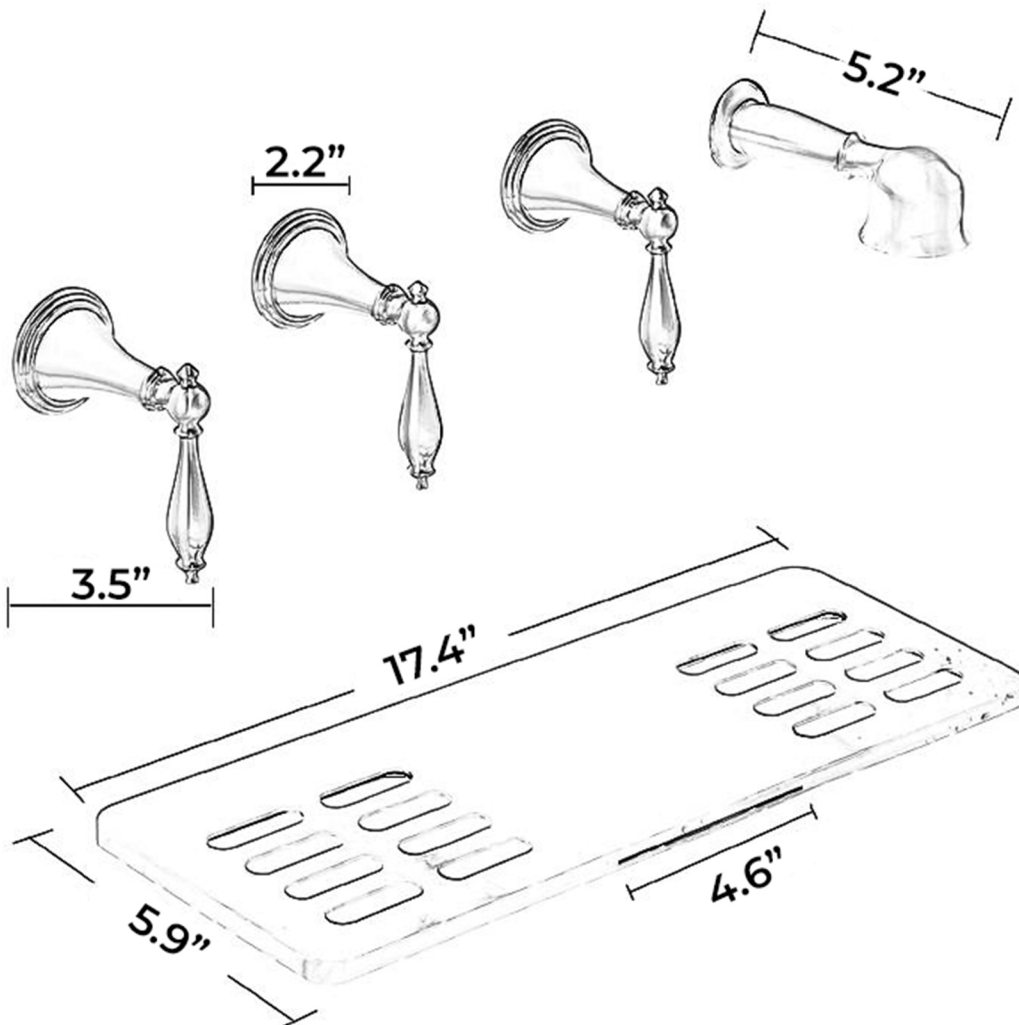
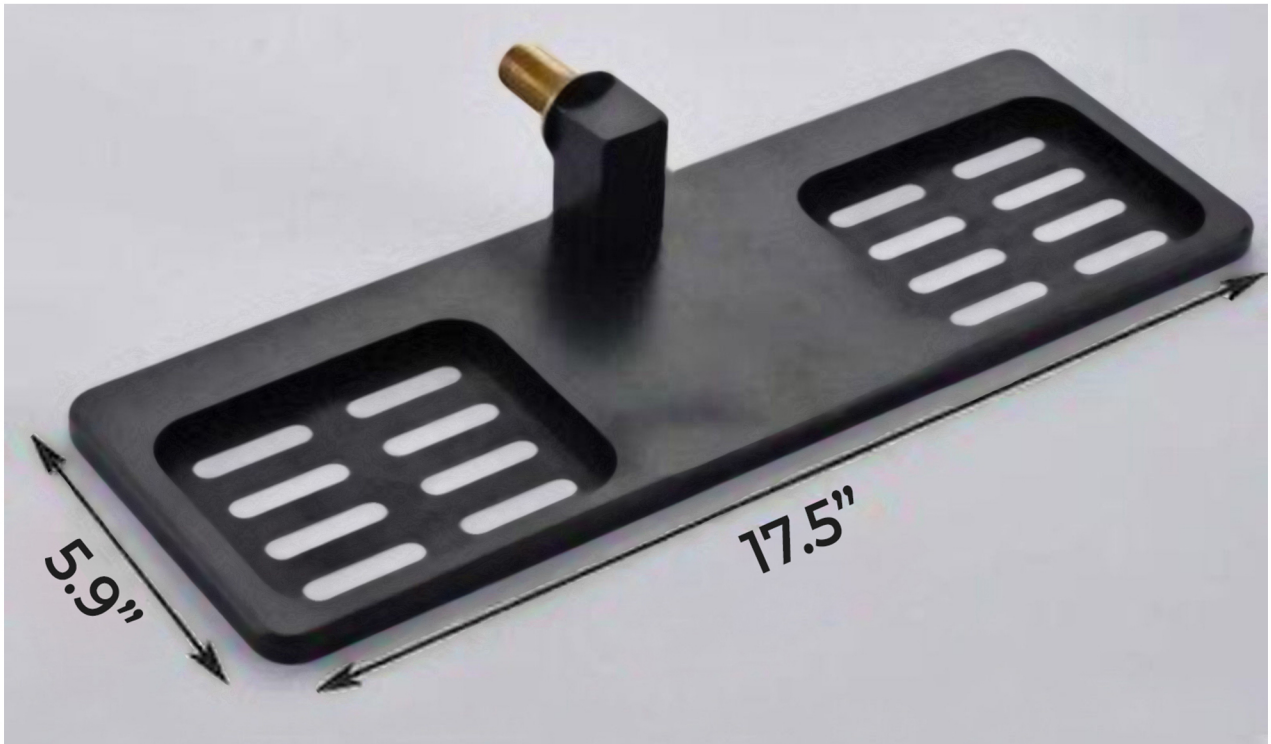
Adjustable Wrench



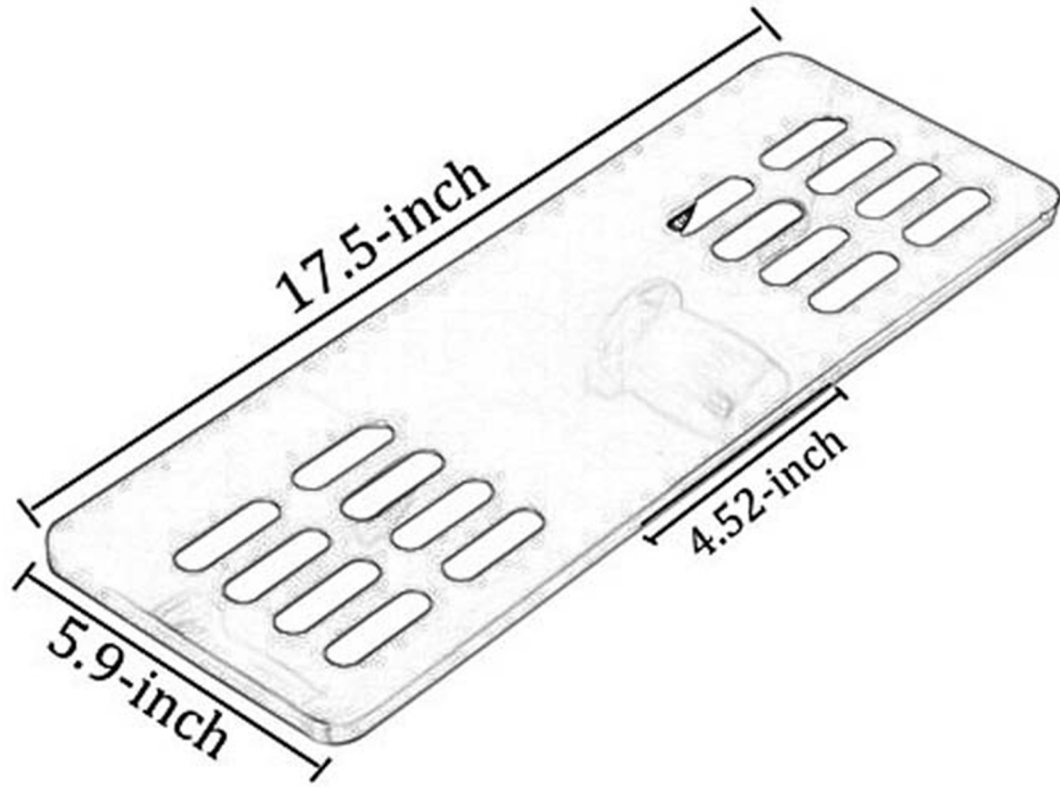
Hex Wrench

*not included

FONTANA Showers



FONTANA Showers



FONTANA Showers

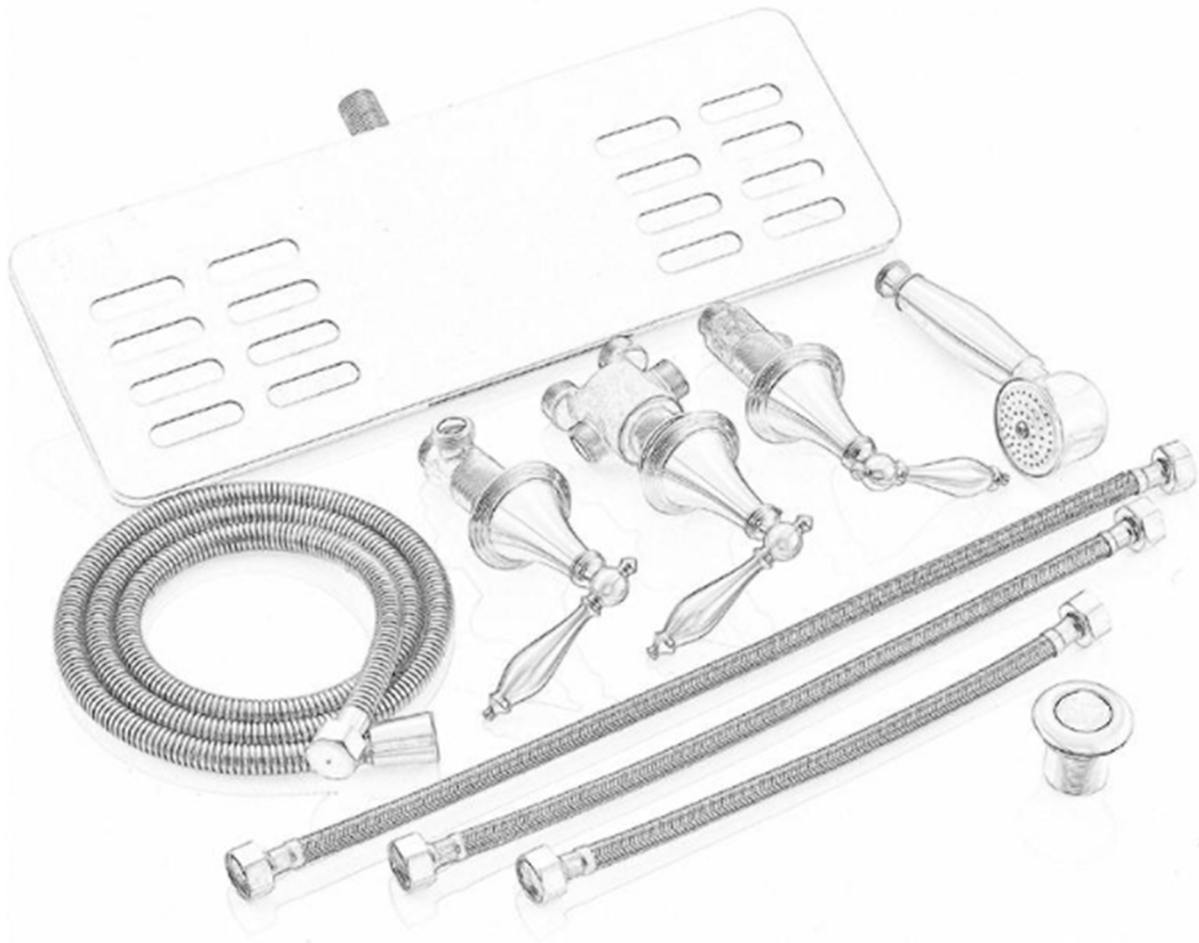


Oil Rubbed Bronze 3 Handles

FONTANA Showers



FONTANA Showers



FONTANA Showers

Step 1-Connections And Water Supply

Hiring a plumber to handle the connections and water supply is very important especially if you're replacing a conventional sink mounted faucet. The internal water supply lines have to be relocated in such cases.

Step 2-Determine the Faucet Height

Once the plumbing is complete, you need to decide at what height you want to install the faucet. When the right height is decided, be sure to mark it with a pencil.

Always take proper measurements. There must always be a 1 inch gap between the bottom of the faucet and the top of the sink. If the gap between the top of the sink and bottom of the faucet is more than 1 inch, the water will splash out of the sink.

Step 3: Drill Holes In The Wall

Once you have marked the level, you need to drill holes in the wall for fastening the bolts. Before you start to drill, verify that there are no pipes or any other wires behind the location.

Step 4: Attaching The Spout

To attach the spout to the wall plate, you need to position the washers and other hardware as instructed by the manufacturer. Once you attach the spout to the wall plate and position the washers, you need to tighten the bolts using an Allen wrench.

Step 4: Fasten The Spout And Wall Plate To The Wall

Once you have attached the spout to the wall plate, you need to position them on the wall. Position it in the right place from the holes you drilled previously and fasten the bolts into the wall.

Step 5: Attach The Necessary Hardware

After positioning and fastening the spout and wall plate to the wall, you need to attach the faucet handles and hot and cold taps. Tighten the handles using your hand in a clockwise motion. Make sure they are secure before you begin to use them.