

BRIO WALL MOUNT SENSOR FAUCETS OIL RUBBED BRONZE FINISH INSTALLTION INSTRUCTIONS



BEFORE YOU BEGIN

Before installing, read entire Installation Instructions. Observe all local building and safety codes.

For the following installation instructions for your new product it is assumed that any old fixtures have been removed and any repairs or modifications to the water supply have been completed. Unpack and inspect the product for any shipping damages. If you find damages, do not install.

Contact Customer Service at 703-378-1915. If you need assistance or have questions while installing your product, contact Customer Service.

We recommend consulting a professional if you are unfamiliar with installing bathroom fixtures.

TOOLS REQUIRED*



Plumber's Tape



Basin Wrench



Thread Sealant



Screwdriver



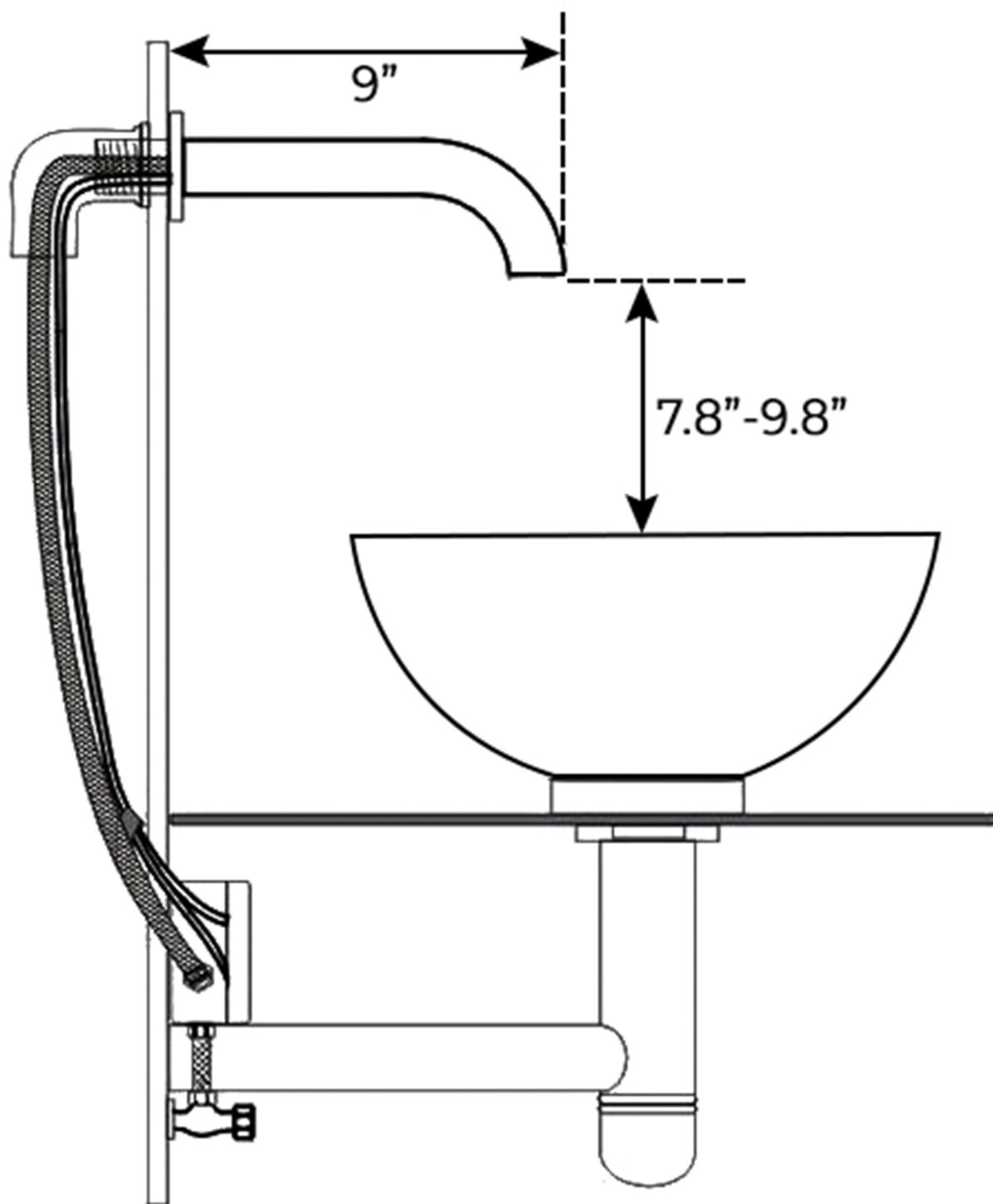
Adjustable Wrench



Hex Wrench

*not included

Wall Mount Sensor Faucet

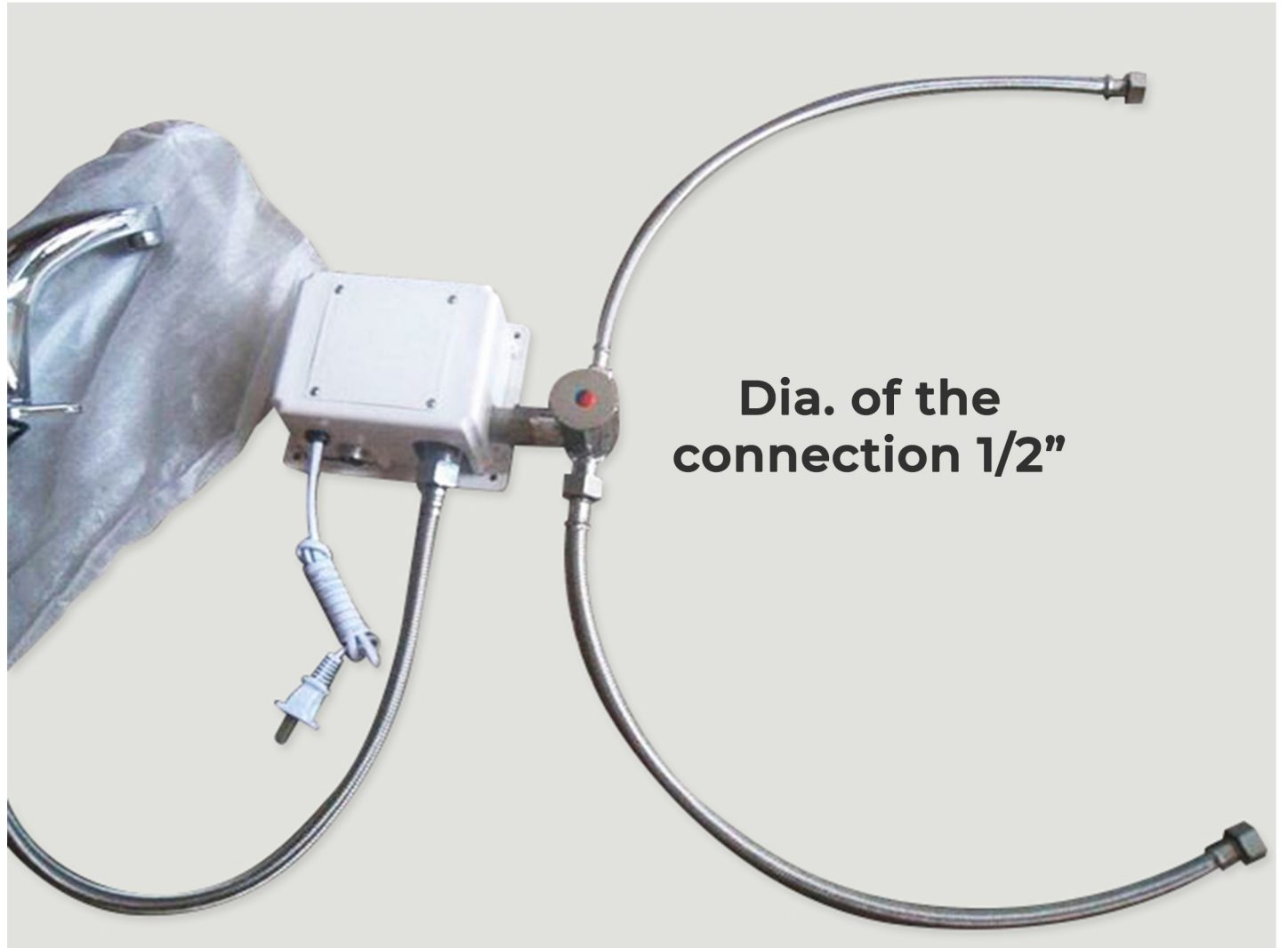






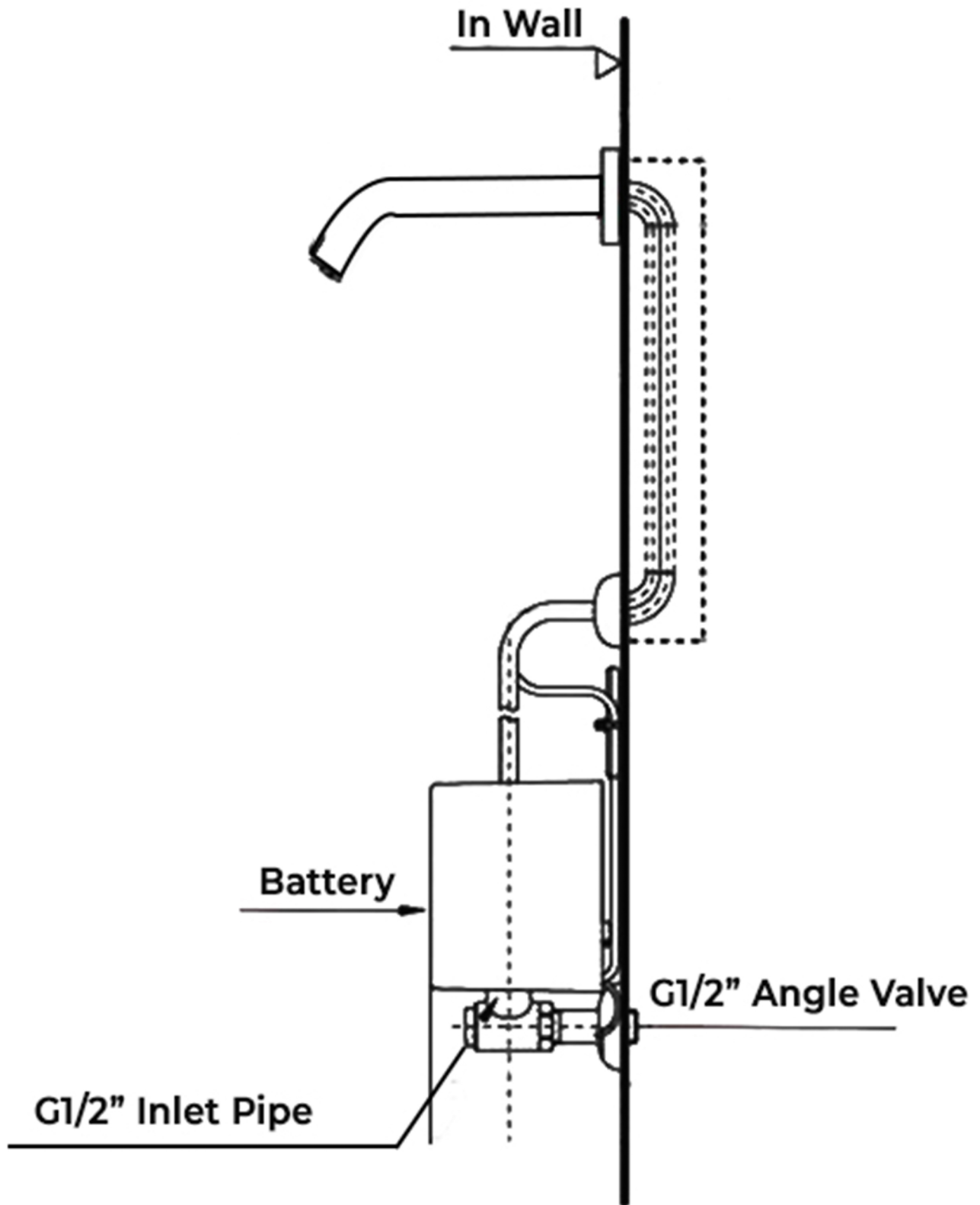
**Connect with
Hot Water**



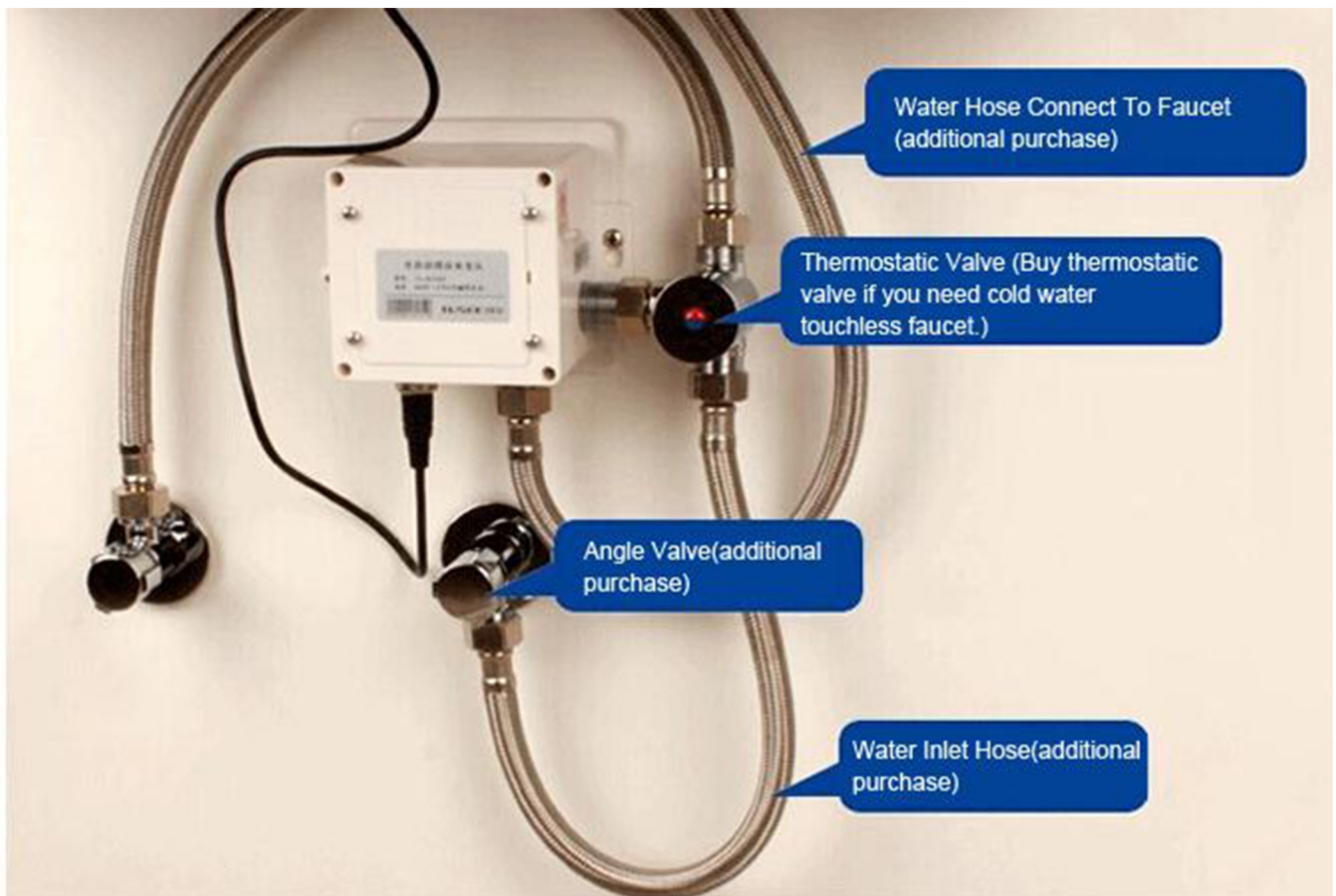




Installation Diagram



Installation effect show



Wall Mount Motion Sensor Faucet Model Installation Instructions

