

## NUEVITAS SOLID BRASS POP-UP DRAIN INSTALLTION INSTRUCTIONS



### BEFORE YOU BEGIN

Before installing, read entire Installation Instructions. Observe all local building and safety codes.

For the following installation instructions for your new product it is assumed that any old fixtures have been removed and any repairs or modifications to the water supply have been completed. Unpack and inspect the product for any shipping damages. If you find damages, do not install.

Contact Customer Service at 703-378-2808. If you need assistance or have questions while installing your product, contact Customer Service.

We recommend consulting a professional if you are unfamiliar with installing bathroom fixtures.

### TOOLS REQUIRED\*



Plumber's Tape



Basin Wrench



Thread Sealant



Screwdriver



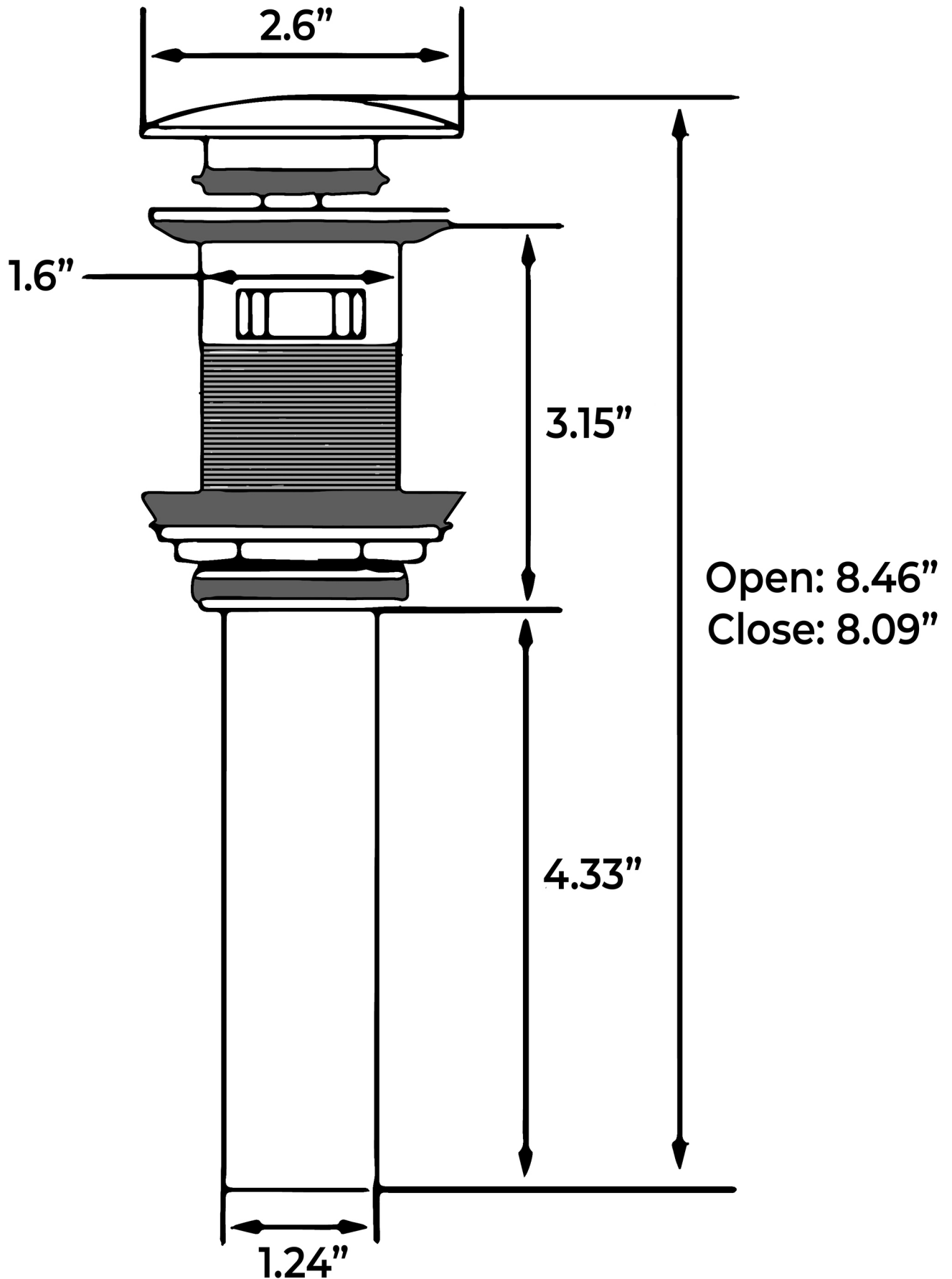
Adjustable Wrench



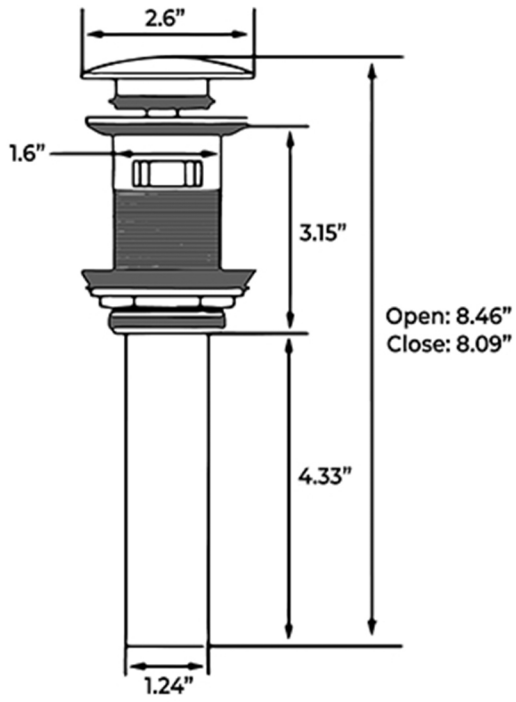
Hex Wrench

\*not included

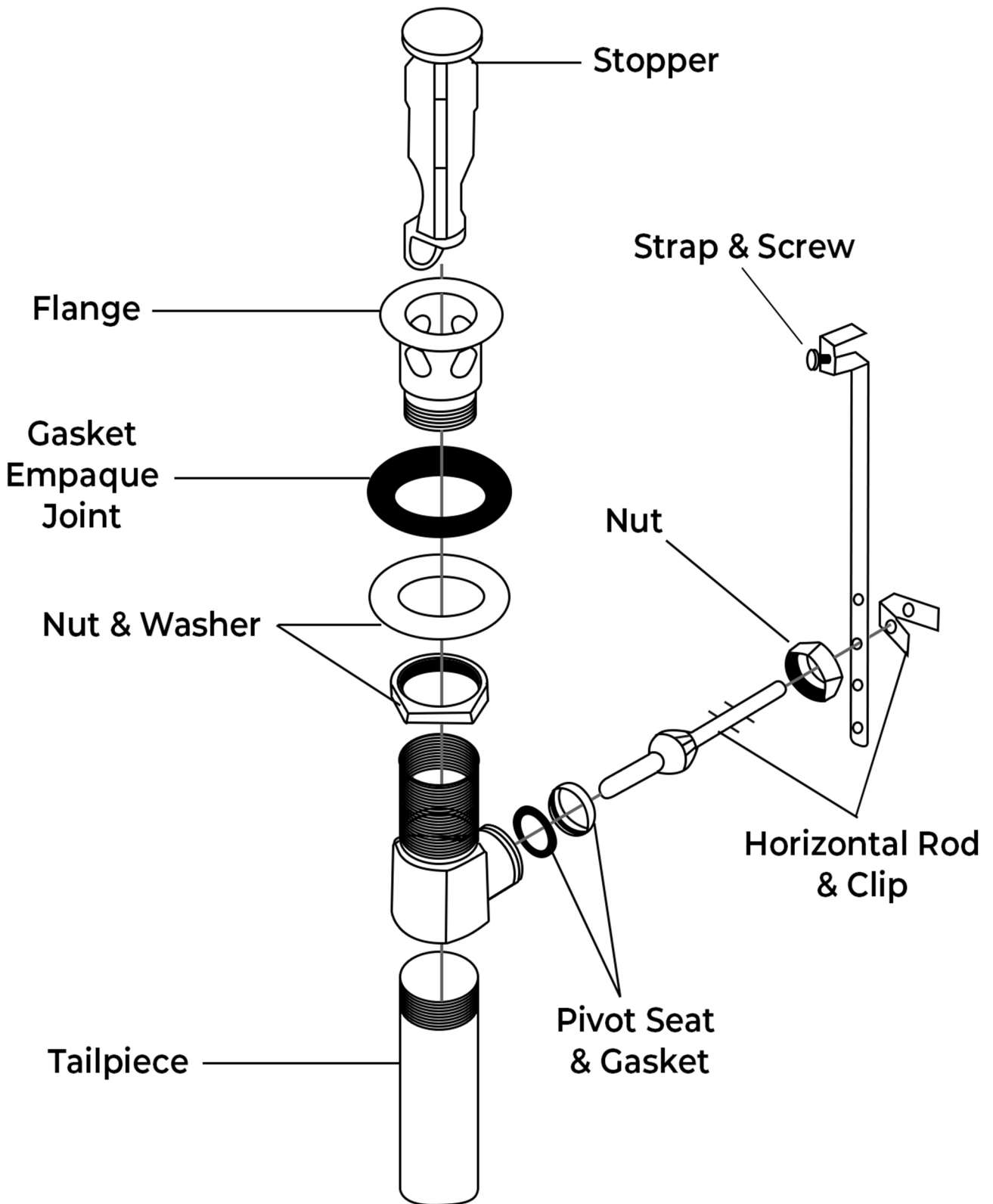
# FONTANA Showers



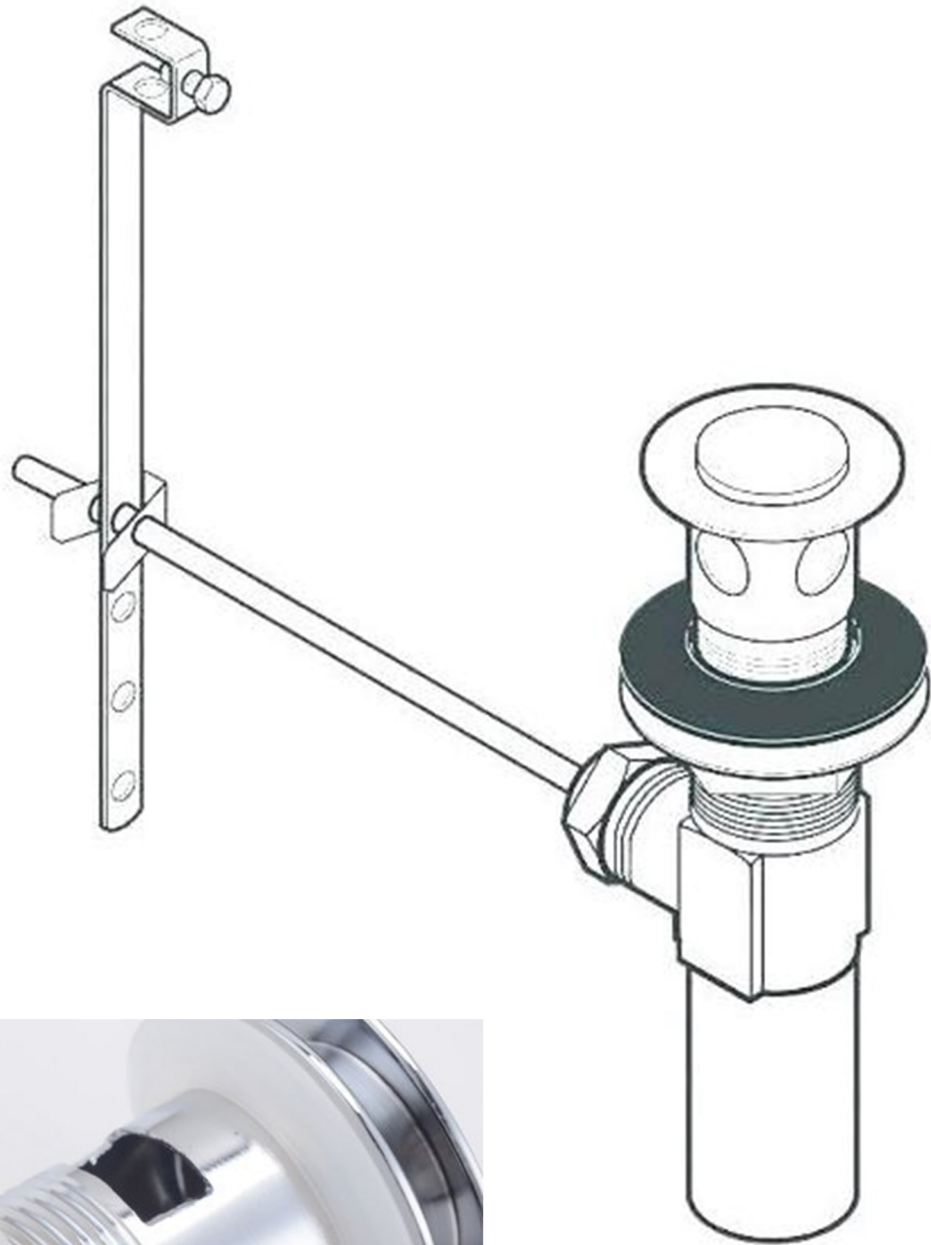
# FONTANA Showers



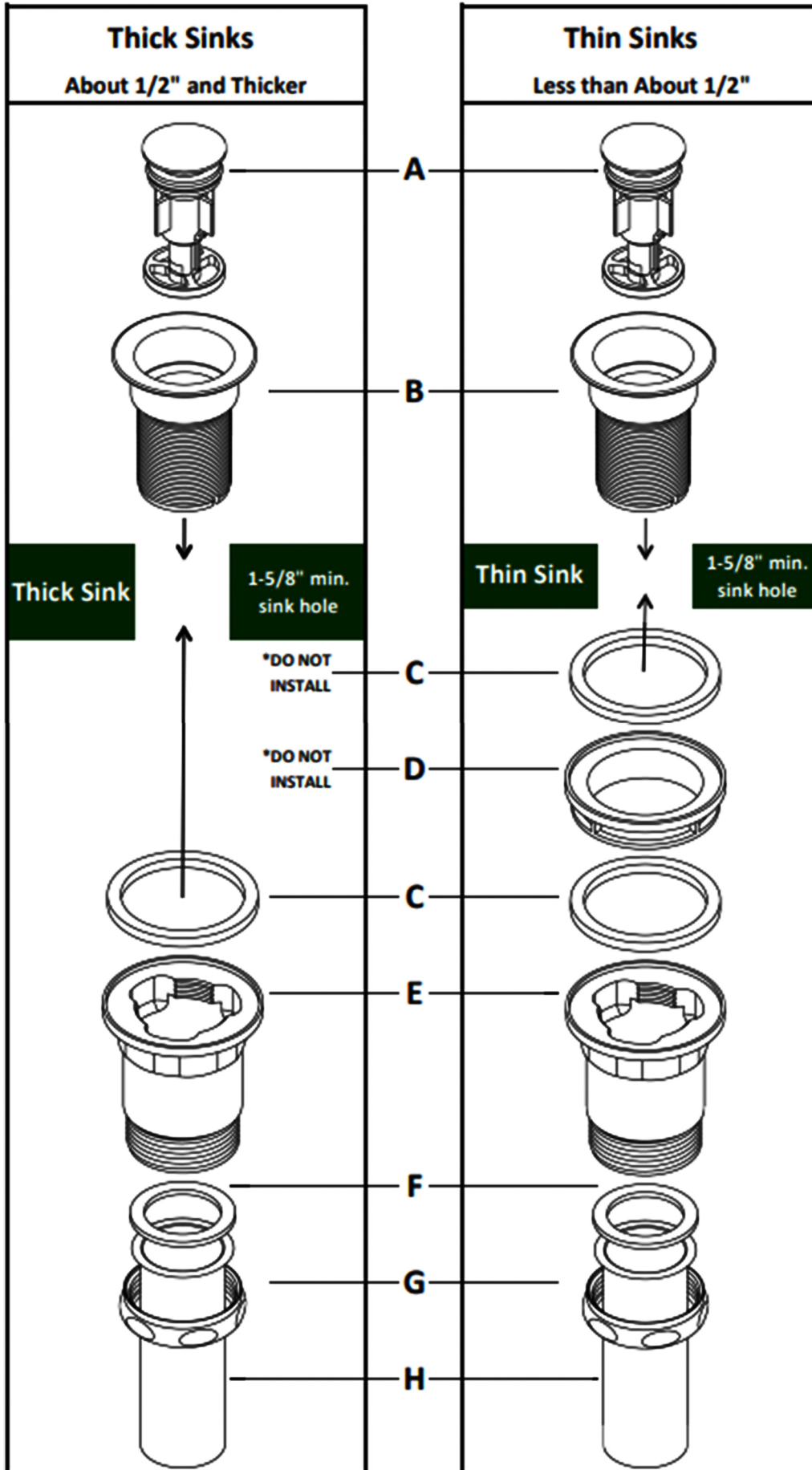
# FONTANA Showers



# FONTANA Showers



# FONTANA Showers



# FONTANA Showers

2. Check that sink drain opening is 1-5/8" minimum diameter and that the flange sits neatly in sink drain recess.

3. Apply non-staining sealant to underside of FLANGE (B) sufficient to contact and seal well Neutral cure silicone sealant is also okay. WARNING: Oil-based Plumbers Putty may react with some finishes.

4. Place FLANGE (B) with sealant into sink opening and check that flange/sink seal is good.

5. THICK SINKS: Use only one RUBBER WASHER (C)

THIN SINKS: Use 2 RUBBER WASHERS (C) on either side of SPACER (D), as shown. Be sure washers are seated correctly

6. Carefully screw BODY (E) on to FLANGE (B) from underside of sink. Make sure RUBBER WASHER (C) is correctly seated in the recess on top of lower body. Do not over-tighten. Use rubber-safe lubricant if needed.

Installation Trick: If the bottom of the sink is a very coarse/rough casting, apply a small bead of silicone to the top of the RUBBER WASHER (C) to seal sink manufacturer's voids and thus create an effective seal.

7. Attach TAIL PIECE (H) to BODY (E) with NUT (G) and TAIL PIECE WASHER (F) in order shown.

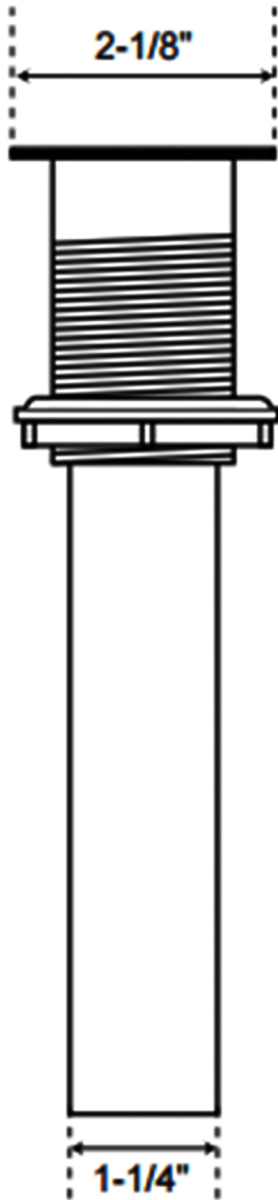
8. TAIL PIECE (H) may need to be trimmed to suit balance of waste system . P-trap and drain accessories not included.

9. Install Cartridge (A). Drain is open when flush and closed when down.

10. OPTIONAL: Override mechanism (A) to prevent closure with included c-clip, simply clip-on to base of mechanism.

# FONTANA Showers

Without Overflow



Without Overflow

