

## 22" LINA MULTIFUNCTIONAL SHOWER HEAD MIRROR CHROMED POLISHED 2 WAY RAINFALL SHOWER SET INSTALLTION INSTRUCTIONS



### BEFORE YOU BEGIN

Before installing, read entire Installation Instructions. Observe all local building and safety codes.

For the following installation instructions for your new product it is assumed that any old fixtures have been removed and any repairs or modifications to the water supply have been completed. Unpack and inspect the product for any shipping damages. If you find damages, do not install.

Contact Customer Service at 703-378-1915. If you need assistance or have questions while installing your product, contact Customer Service.

We recommend consulting a professional if you are unfamiliar with installing bathroom fixtures.

### TOOLS REQUIRED\*



Plumber's Tape



Basin Wrench



Thread Sealant



Screwdriver

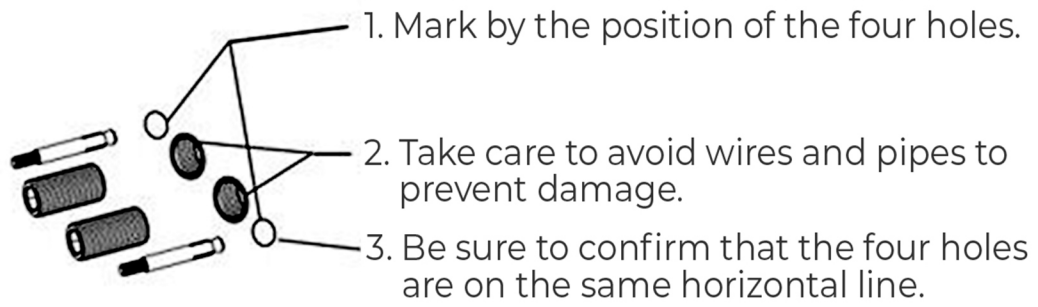


Adjustable Wrench

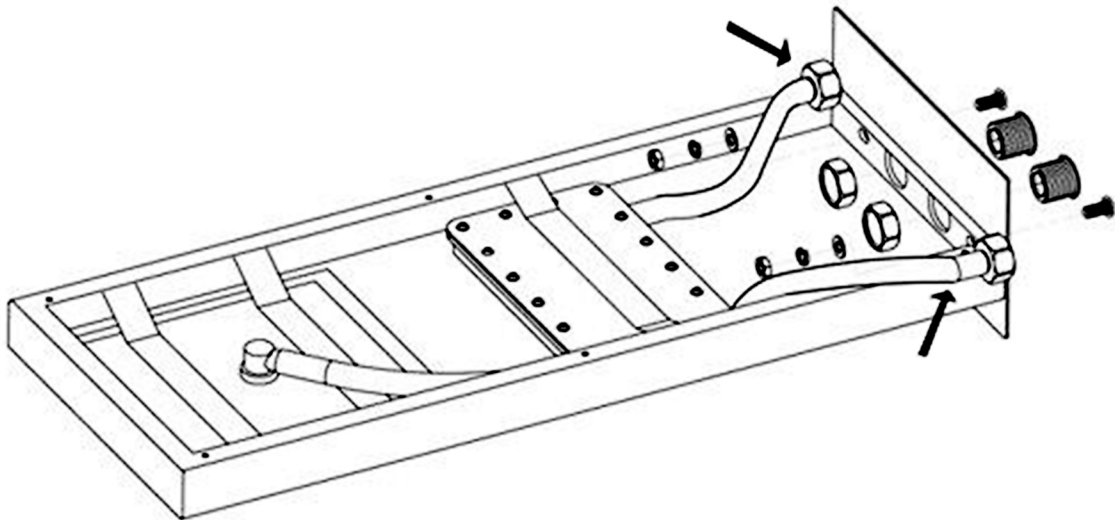


Hex Wrench

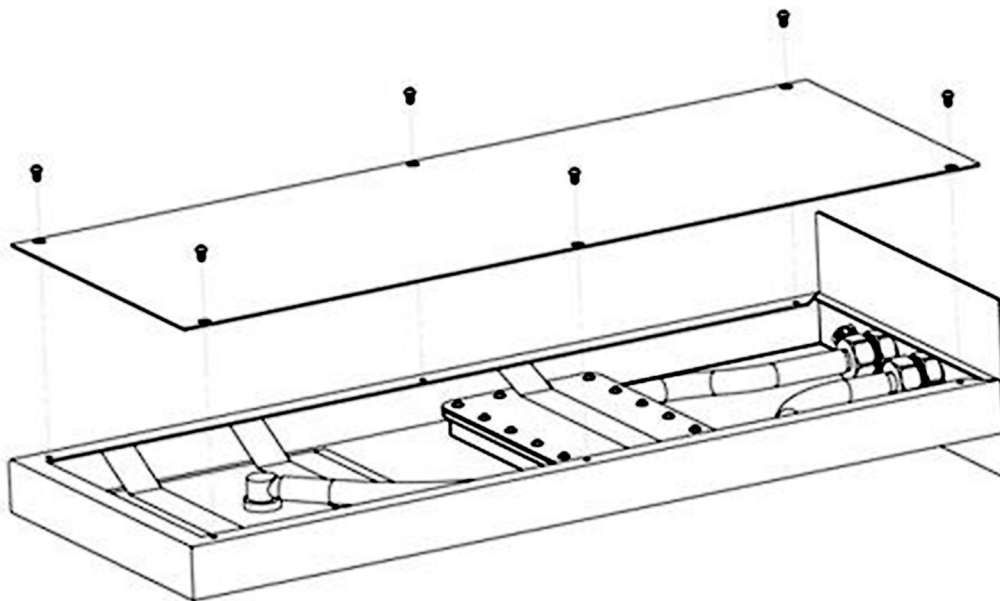
\*not included



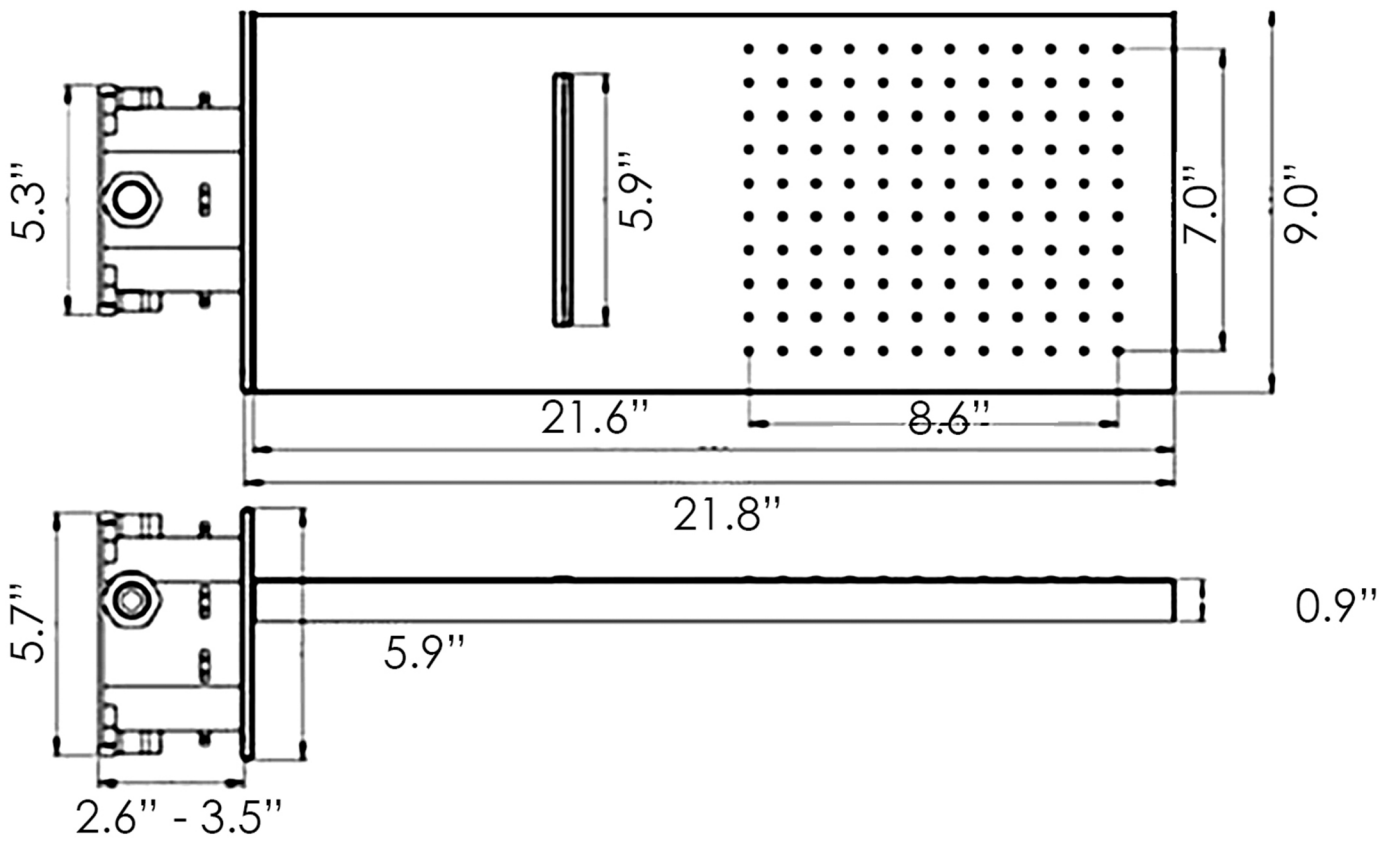
1. Open the top cover and drill according to the marked position.



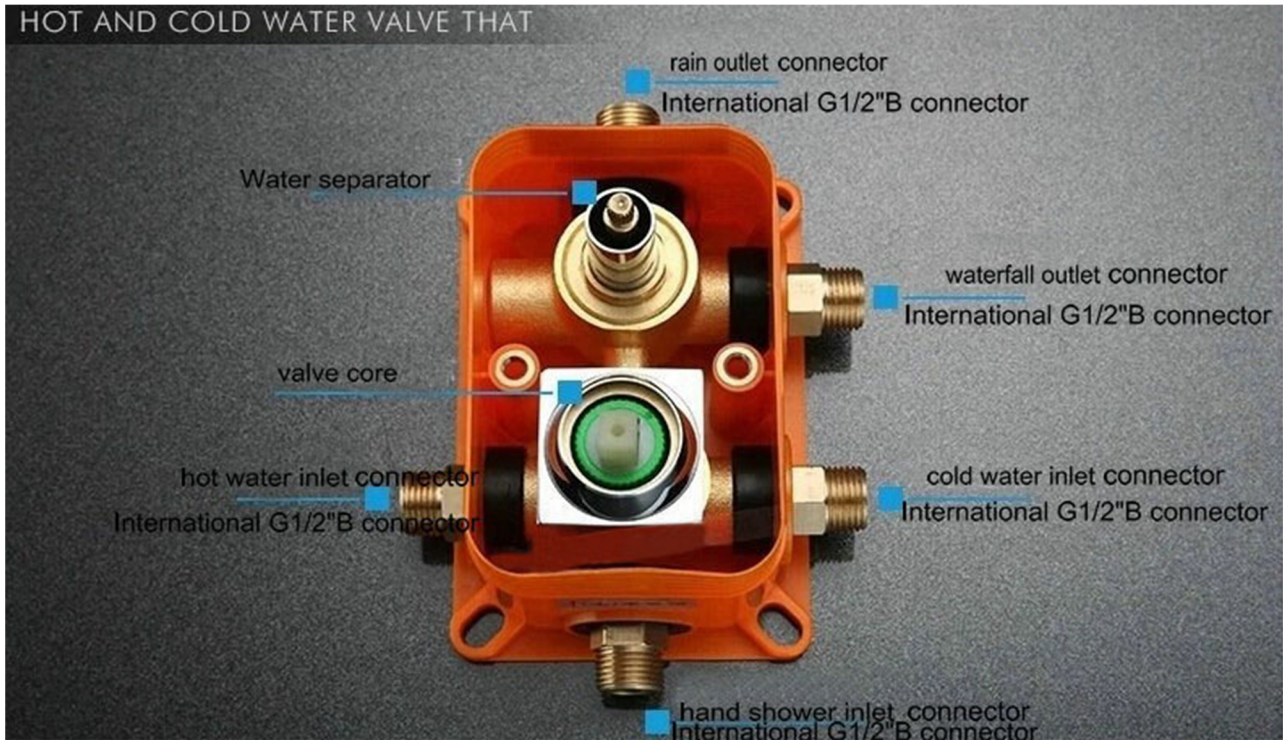
2. Two inlet fittings are connected to the pipe joint of the wall; then the nut, expansion screw and inlet pipe are connected.



3. Reinstall the top cover.





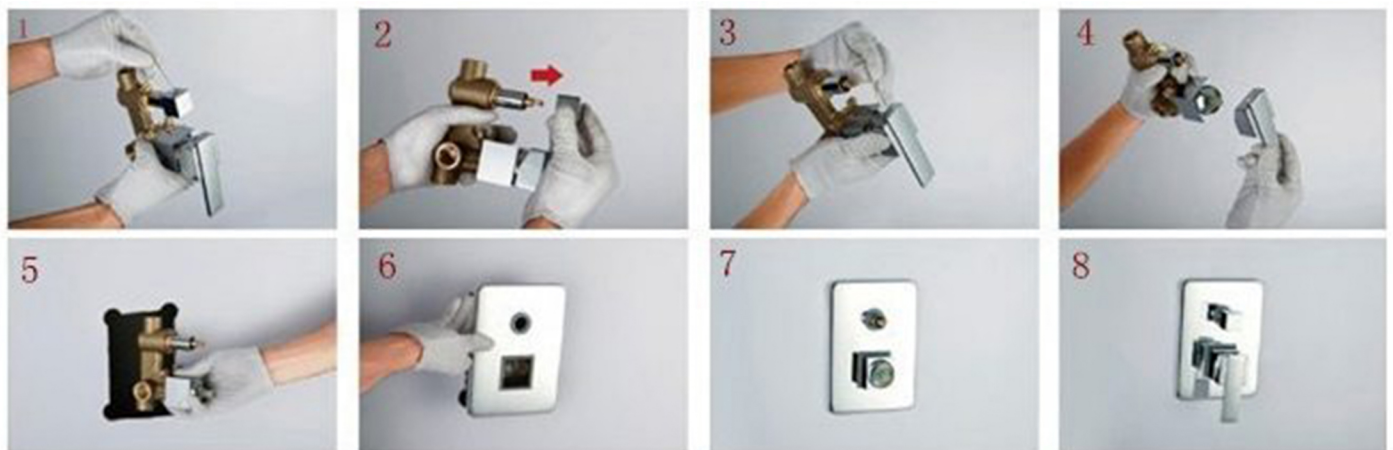
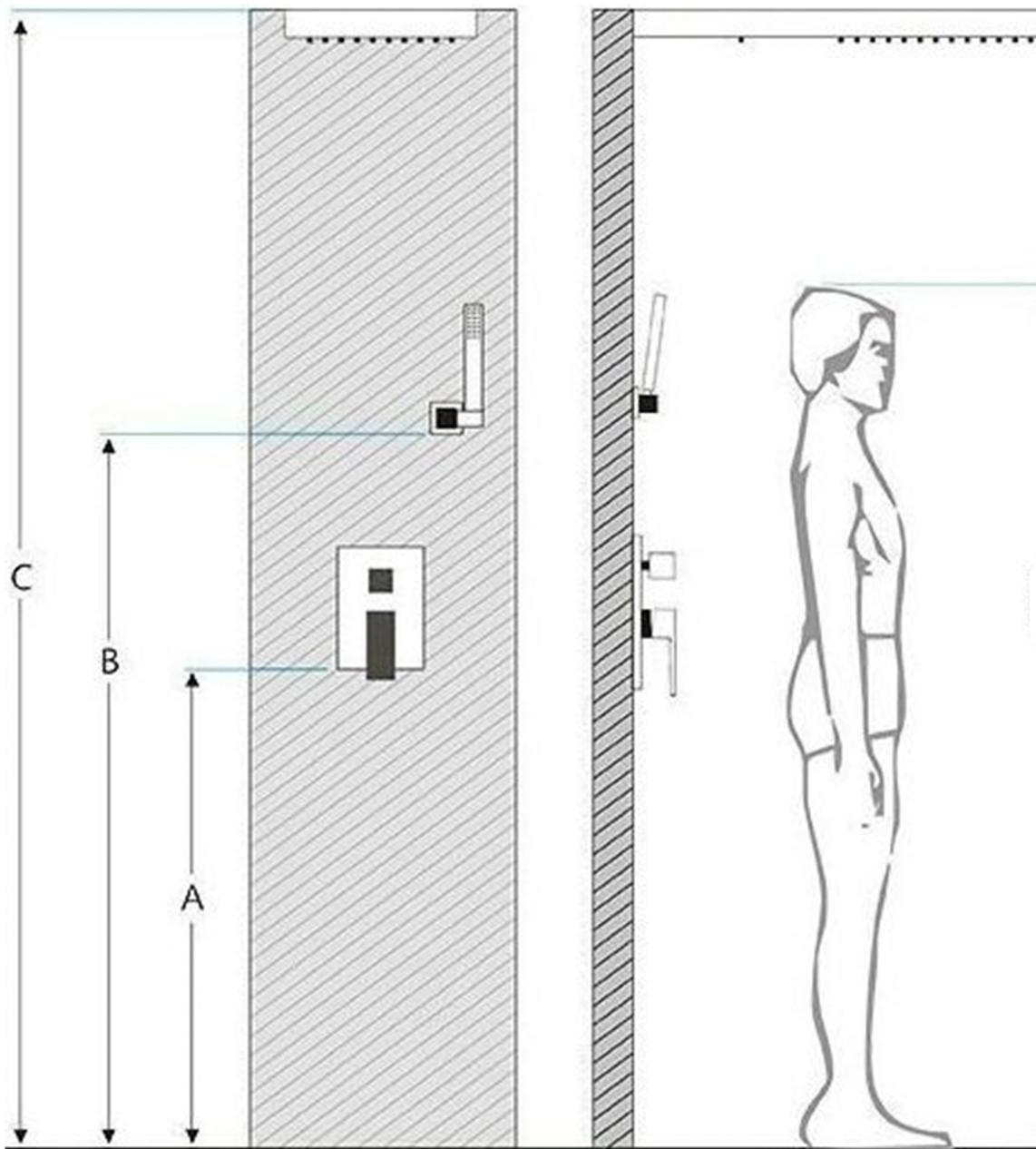


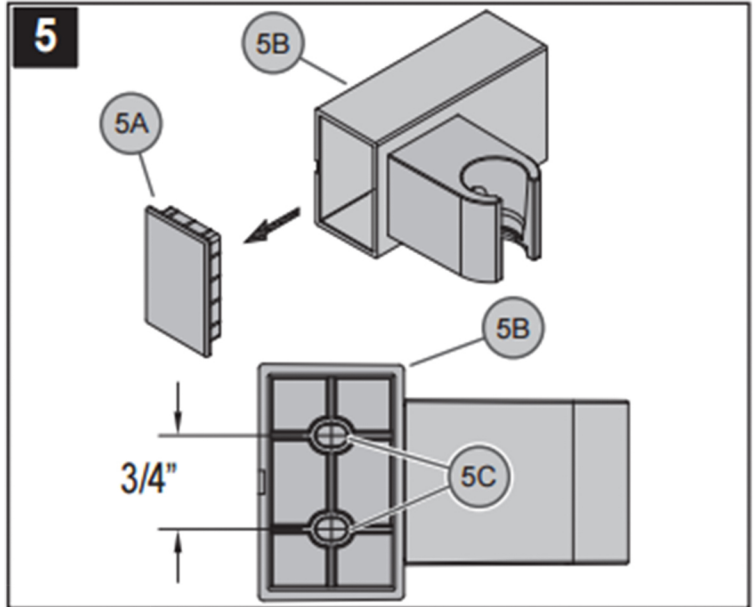
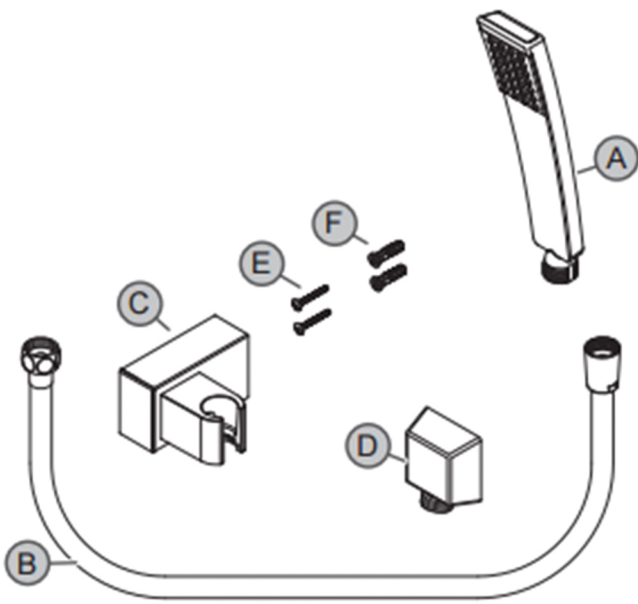




SWITCH THAT

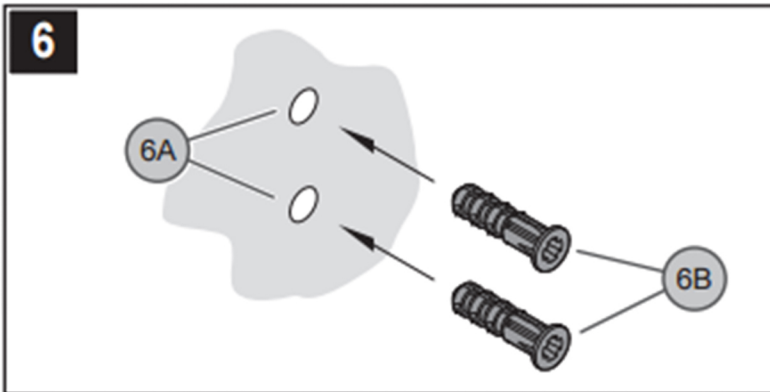






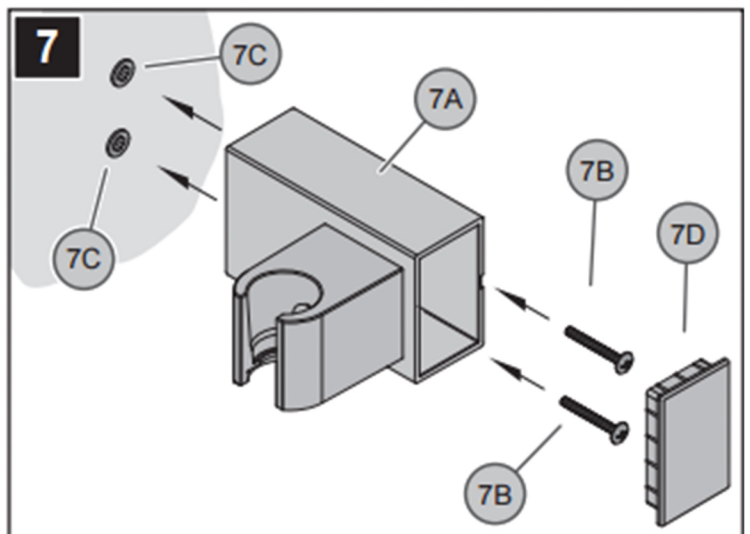
### 5 HOLE LOCATIONS FOR WALL MOUNT

Remove Front Cover (5A) from Wall Mount (5B). Use Wall Mount Screw Holes (5C) to place the desired location. Using a punch or awl, tap the screw hole locations. Holes must be vertically aligned.



### 6 ANCHOR INSTALLATION

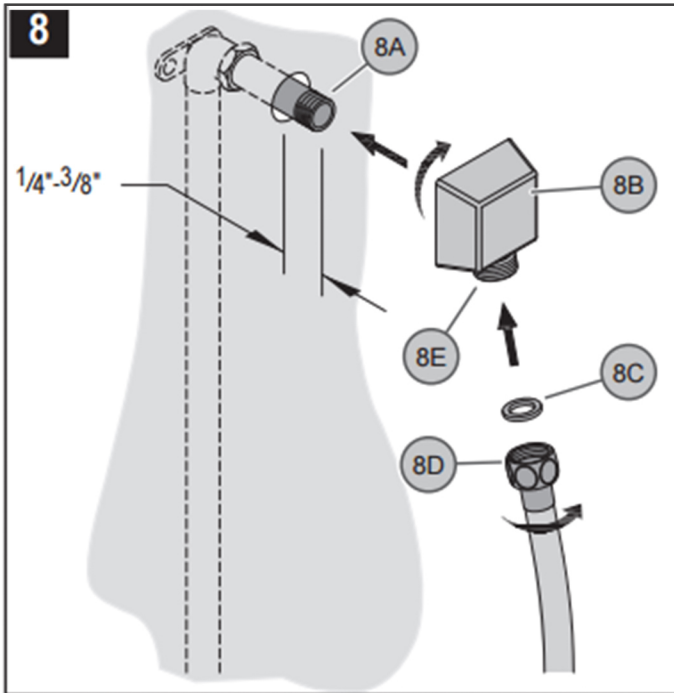
Drill two 1/4" Dia. Holes (6A). If installing into a stud, drill two 1/8" Dia. holes and do not use Anchors (6B). Insert Anchors (6B) into Holes (6A) and tap flush with wall.



### 7 WALL MOUNT INSTALLATION

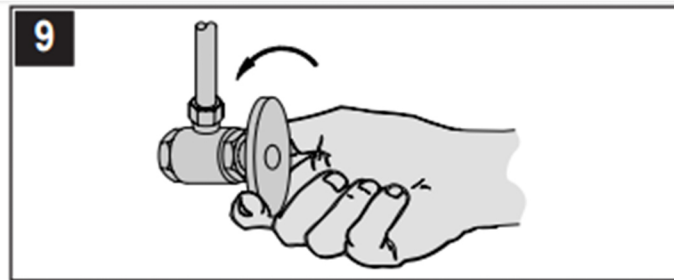
Place Wall Mount (7A) onto wall and insert Mounting Screws (7B) through Wall Mount Holes (7C) and tighten until Wall Mount (7A) is flush with the wall. **Do Not Over Tighten!** Insert Front Cover (7D) into Wall Mount (7A).





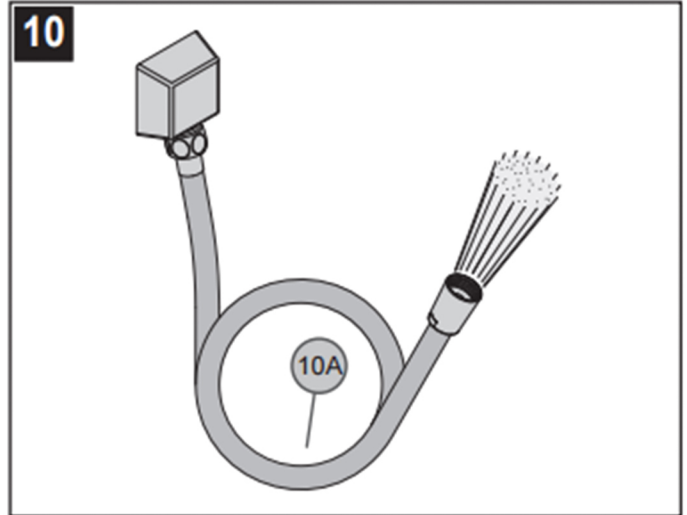
### 8 DROP ELBOW & HOSE INSTALLATION

Apply PTFE plumbers tape on both ends of Pipe Niple (8A) (not included). Screw Pipe Niple (8A) into the elbow inside the wall. The Pipe Niple (8A) is to project  $1/4$ "- $3/8$ " from the finished wall. Screw Drop Elbow (8B) onto Pipe Niple (8A) and tighten until Drop Elbow (8B) is properly positioned and flush to the finished wall. Place Rubber Seal (8C) inside Hex Hose Fitting (8D). Connect Hex Hose Fitting (8D) into Drop Elbow Outlet (8E) by turning Hex Hose Fitting (8D).



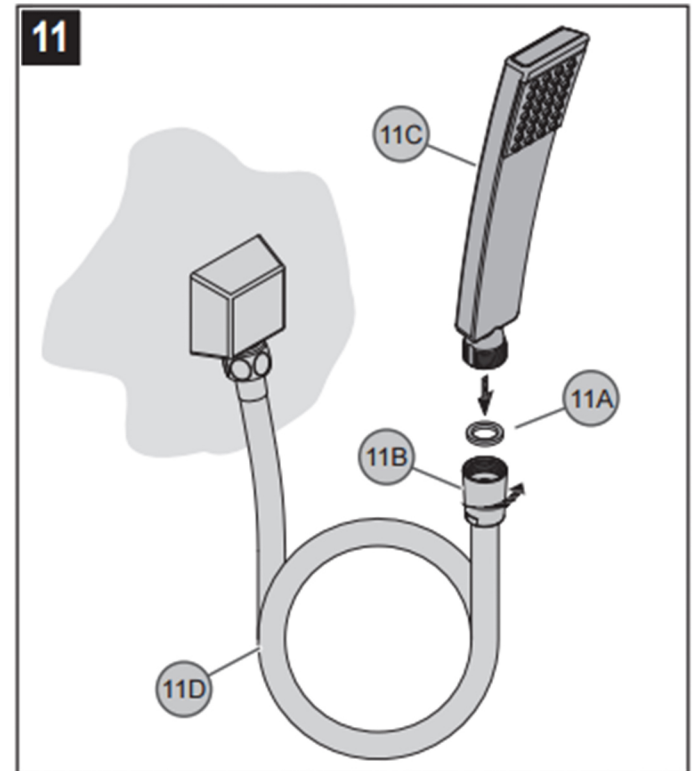
### 9 UNIT START UP

Turn on hot and cold water supplies, and check all connections for leaks.



### 10 FINAL FLUSHING

For final flushing, turn valve on and allow water to run through the Hose (10A) for several minutes. Allow water to run for several minutes until all foreign matter clears the line.



### 11 SHOWER ARM INSTALLATION

Place Rubber Seal (11A) inside Tapered Hose Fitting (11B). Connect Hand Shower (11C) to Hose (11D) by turning Tapered Hose Fitting (11B) clockwise.



Make sure Hand Shower (11C) is securely tightened to Hose (11D).