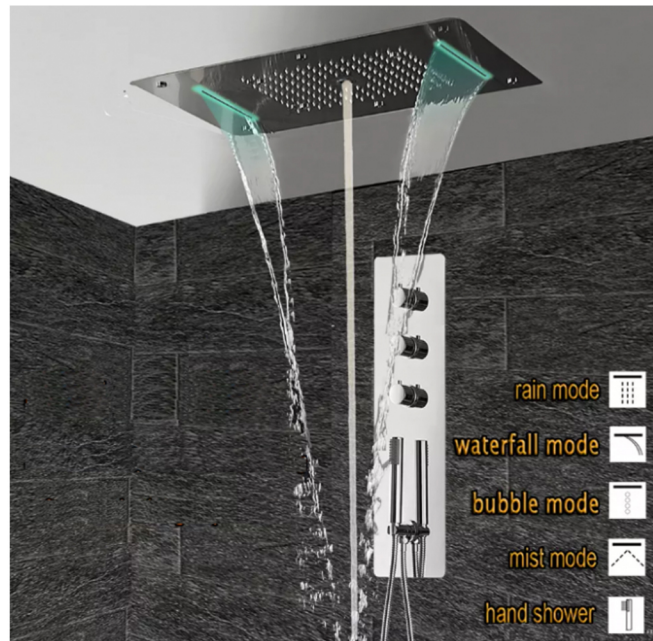


## SUPER LUXURY 5 FUNCTION RECESSED CEILING MOUNT LED LARGE SHOWER SET SYSTEM INSTALLTION INSTRUCTIONS



- rain mode 
- waterfall mode 
- bubble mode 
- mist mode 
- hand shower 

### BEFORE YOU BEGIN

Before installing, read entire Installation Instructions. Observe all local building and safety codes.

For the following installation instructions for your new product it is assumed that any old fixtures have been removed and any repairs or modifications to the water supply have been completed. Unpack and inspect the product for any shipping damages. If you find damages, do not install.

Contact Customer Service at 703-378-1090. If you need assistance or have questions while installing your product, contact Customer Service.

We recommend consulting a professional if you are unfamiliar with installing bathroom fixtures.

### TOOLS REQUIRED\*



Plumber's Tape



Basin Wrench



Thread Sealant



Screwdriver



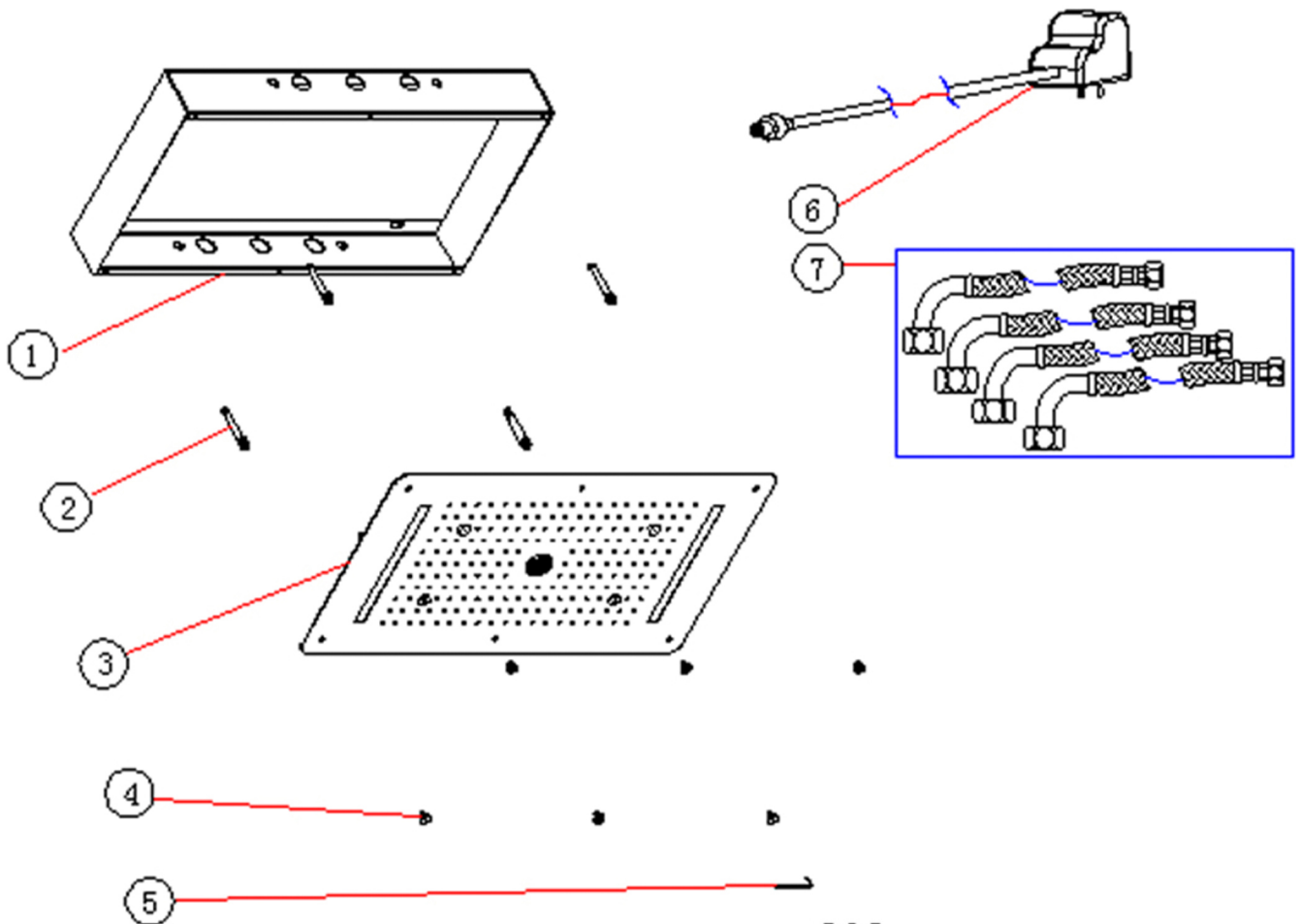
Adjustable Wrench



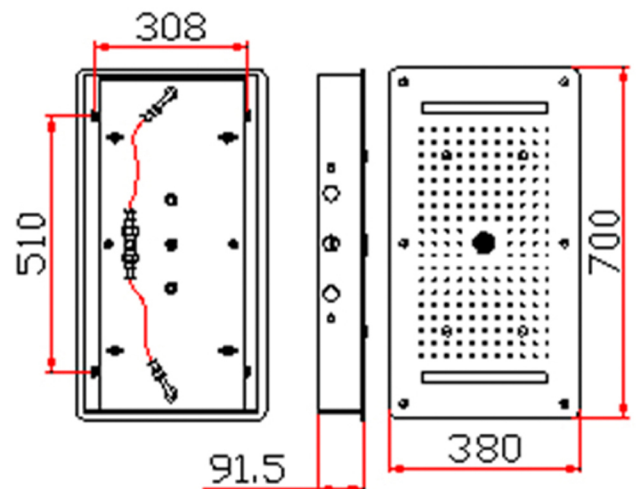
Hex Wrench

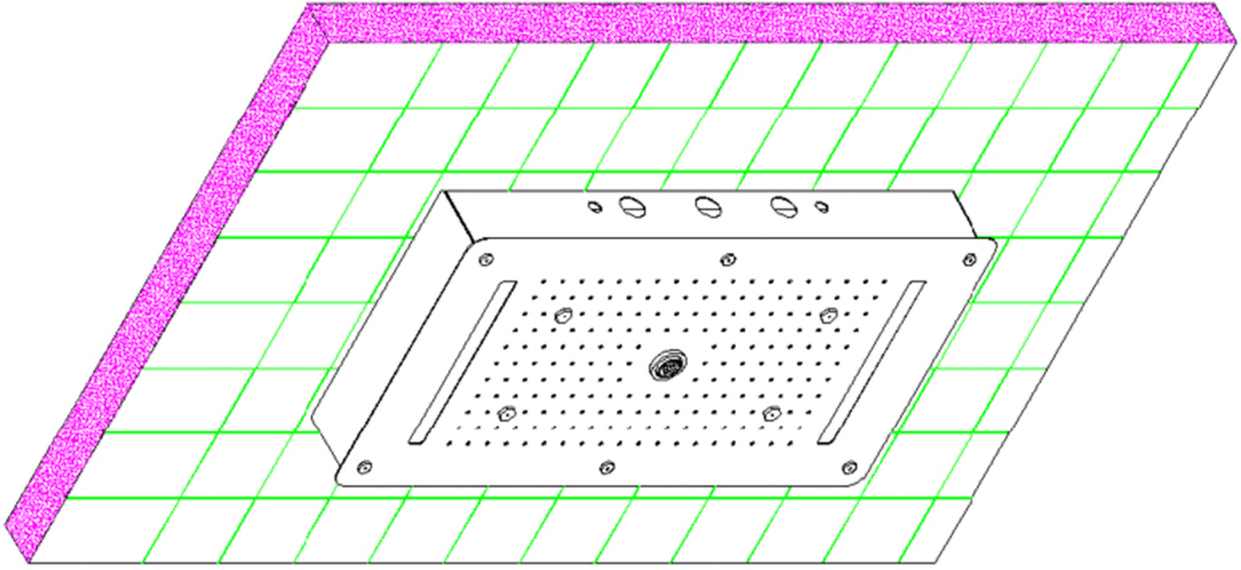
\*not included

## part list

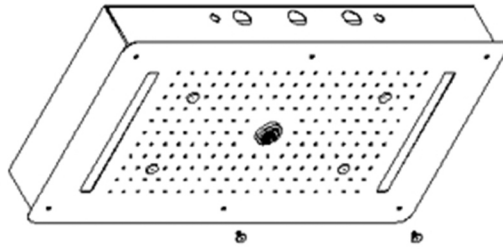


Number	Commodity	Quantity
1	bracket	1
2	M10 Expansion screws	4
3	shower assembly	1
4	lock screws	4
5	hexagon wrench	1
6	Power	1
7	water inlet connecting pipe	4





1



• • • • • •

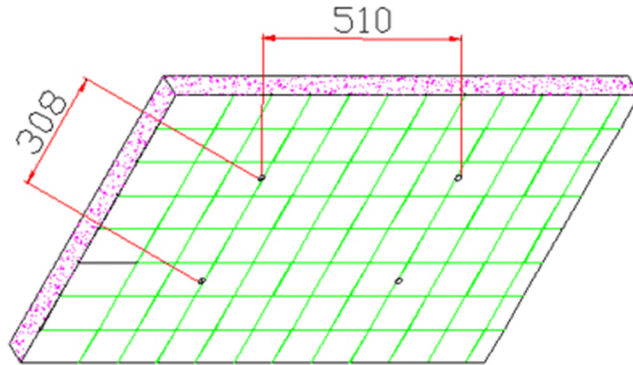
lock screws X6

hexagon wrench



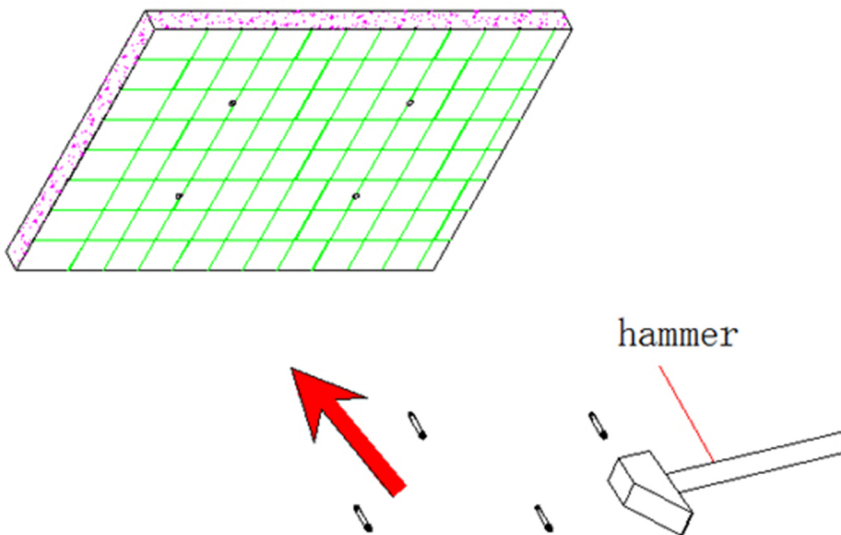
1, Use a hexagon wrench to lose the lock screws then separate the showerhead assembly and bracket

2



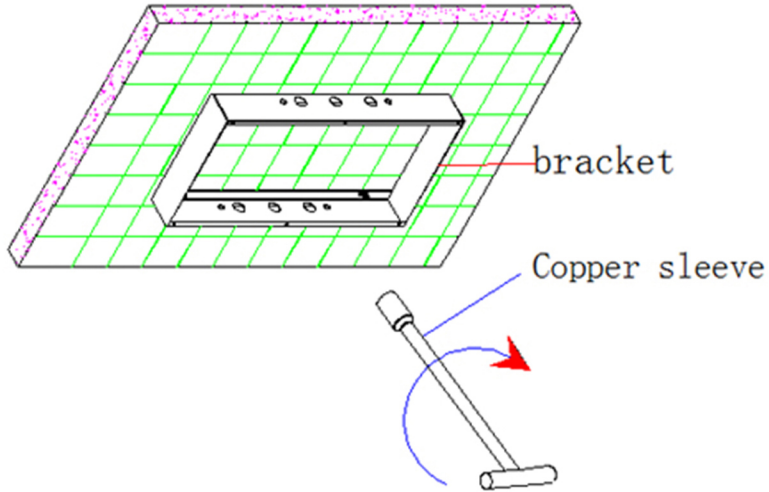
2, dig 4  $\phi 10$  holes on the ceiling according to the dimension of the screws

3



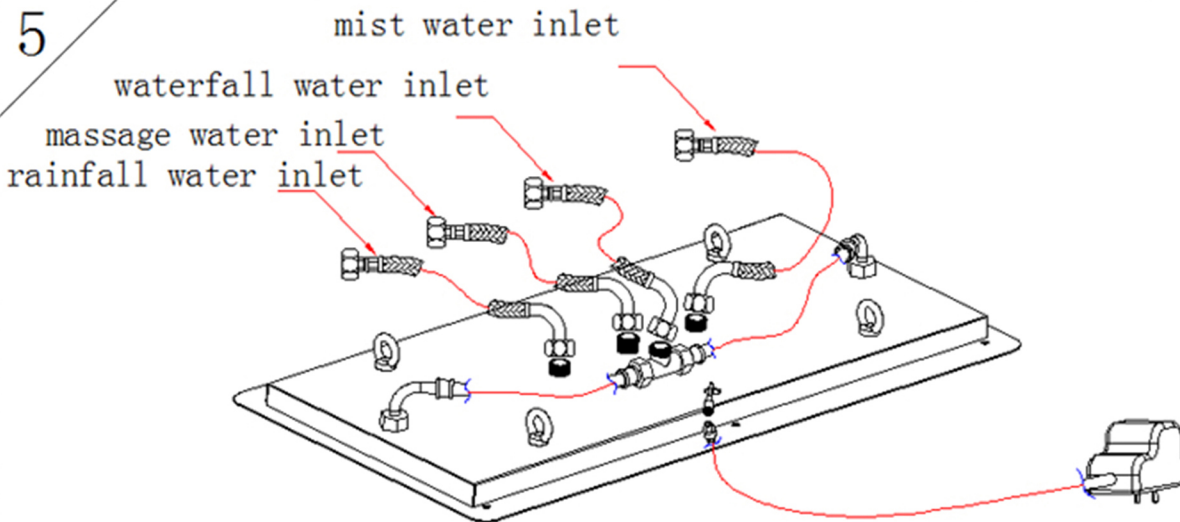
3, use a hammer to thwack the 4 screws into 4 holes

4



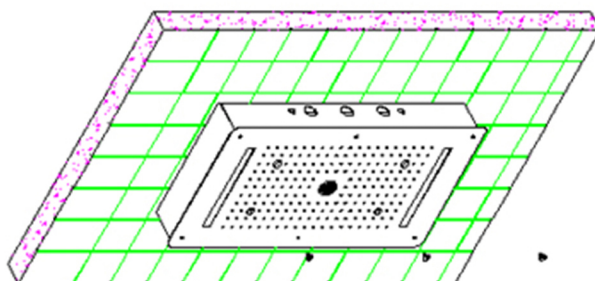
4, install the bracket on the expansion screws then use copper sleeve wrench to lock 4 screws

5



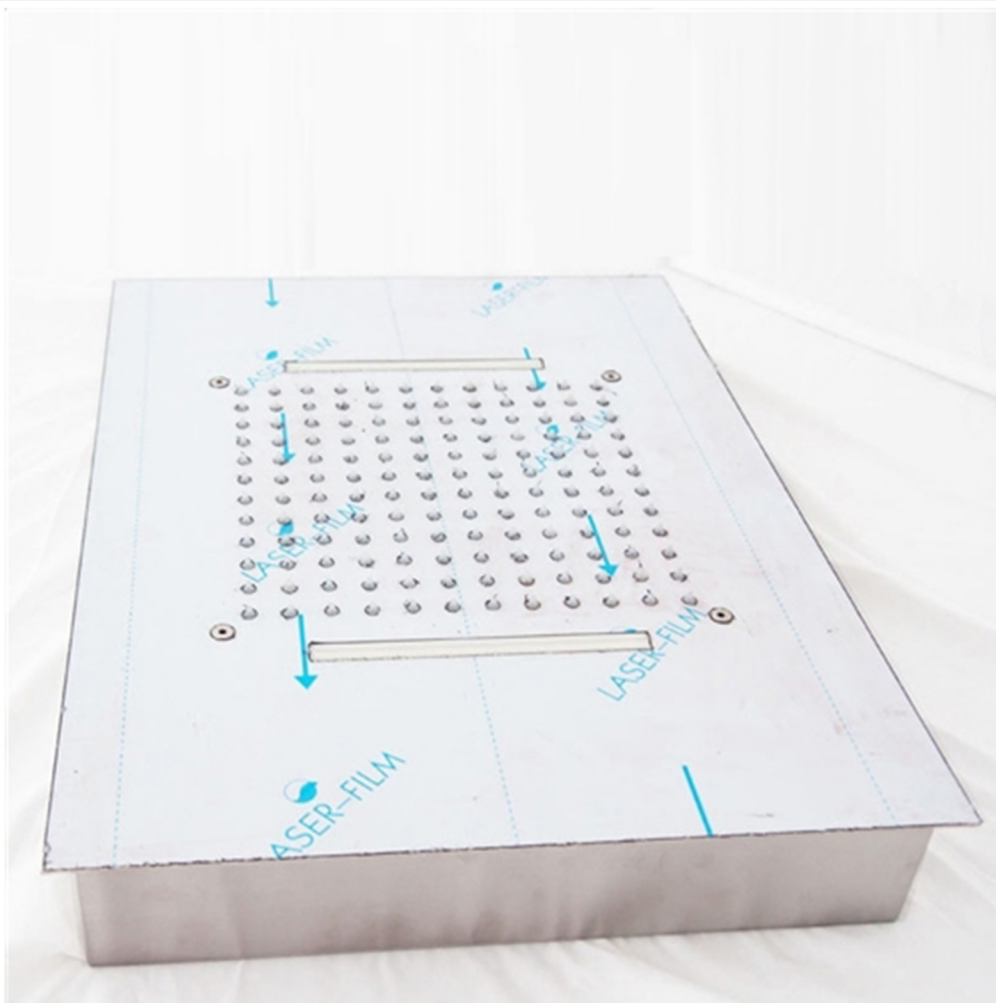
5, Make sure all the water inlet pipe connected well without leaking before insert the power plug into the socket

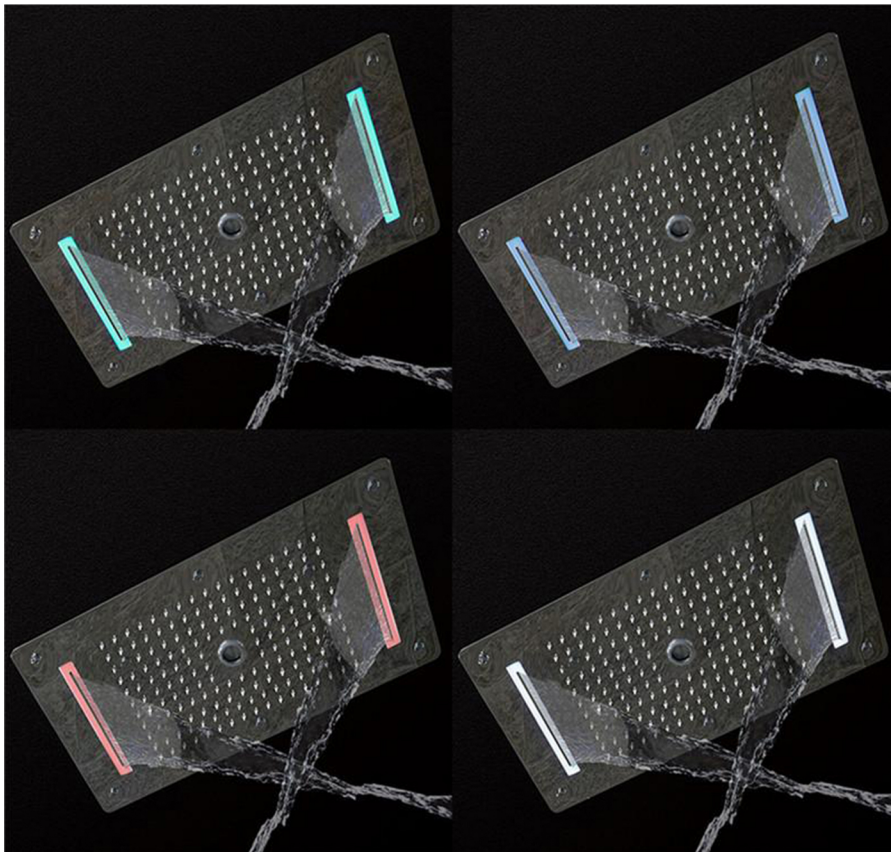
6



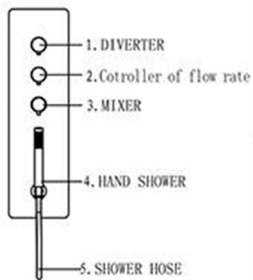
lock screws X6  
hexagon wrench

6, Fix the shower assembly on the bracket by turn the locking bolt.





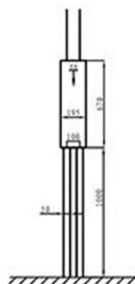
## AA-0003 INSTALLATION MANUAL



### TOOLS

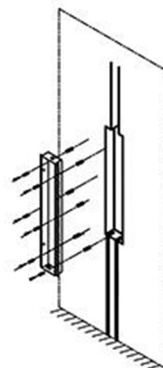


FIG 1



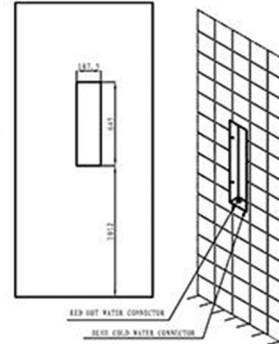
First carved a rectangular slot (L670mm\*W195mm\*H90mm) in the wall that 1000mm high from the ground and two inlet water pipeline(the overall height shall not be greater than 1670mm)

FIG 2



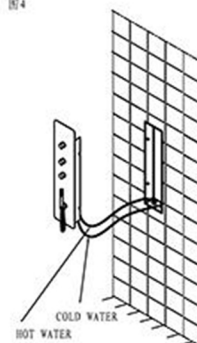
Put the concealed box into the slot on the wall, and fixed with the screws (no slipping, no loosening).

FIG 3



Linked the hot and cold water pipes, then tighten the screws (Attention: Filter washer must be installed to avoid dirt clogging), finally paste up the tiles as the picture shows.

FIG 4



Link the hot and cold water pipes accurately (please clean up the foreign body of connecting pipes before installation, and hang up the preassembled panel components in accordance with the picture shows (A must to all click into the B slot).

FIG 5

### NOTES:

1. Reasonable use of this product by technical parameters.  
2. The product temperature control valve is automatic thermostatic valve, will not affected by the temperature change under normal using. Any of the following circumstances may affect the user:

A. Low water pressure. B. Hot water inlet temperature is lower than 38 degree. C. Cold water temperature is too low. D. Used with the gas water heater (May appear the phenomenon of flame).

Special note: If the cold water pipe suddenly anhydrous, the thermostatic valve will automatically switches to stop the water, avoid the hot to bodily harm.

For a more rational use of this product, here recommended the storage-type electric water heater.

### Maintenance considerations:

1. After the installation, please dredge it with cold water and repeat opening and closing to make sure the installation meets the requirements and no irregularities, then use the hot water.  
2. Only allows to use soft cloth to clean the water stains and dirt on the surface of the panel.  
3. Not use any acidic or alkaline cleaners or will corrode the surface.

4. While the water is highly contaminated, please stop using to avoid plug the water hole.  
5. If you encounter a small shower water, please clean the filter gasket of the inlet valve.



Finished body of shower mixer with concealed box, to save much more space



Connectors of outlet





Connectors of 2 inlets and 1 outlet



Inside of concealed box , it's so easy to repair , just take out the front of plate