

FONTANA WELLA GOOSE NECK AUTOMATIC SENSOR FAUCET INSTALLTION INSTRUCTIONS



BEFORE YOU BEGIN

Before installing, read entire Installation Instructions. Observe all local building and safety codes.

For the following installation instructions for your new product it is assumed that any old fixtures have been removed and any repairs or modifications to the water supply have been completed. Unpack and inspect the product for any shipping damages. If you find damages, do not install.

Contact Customer Service at 703-378-2808. If you need assistance or have questions while installing your product, contact Customer Service.

We recommend consulting a professional if you are unfamiliar with installing bathroom fixtures.

TOOLS REQUIRED*



Plumber's Tape



Basin Wrench



Thread Sealant



Screwdriver



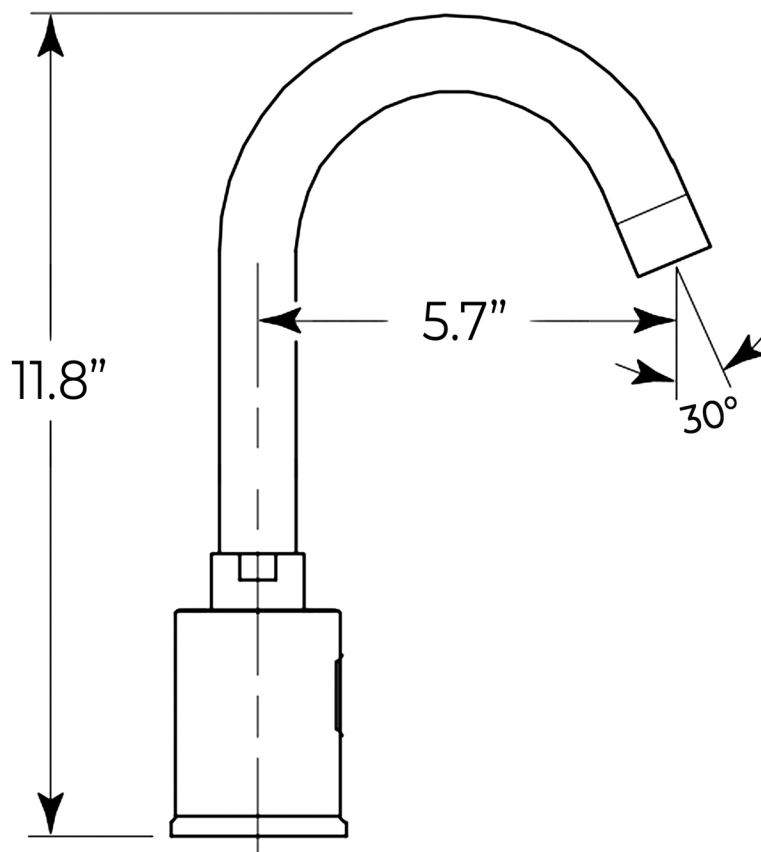
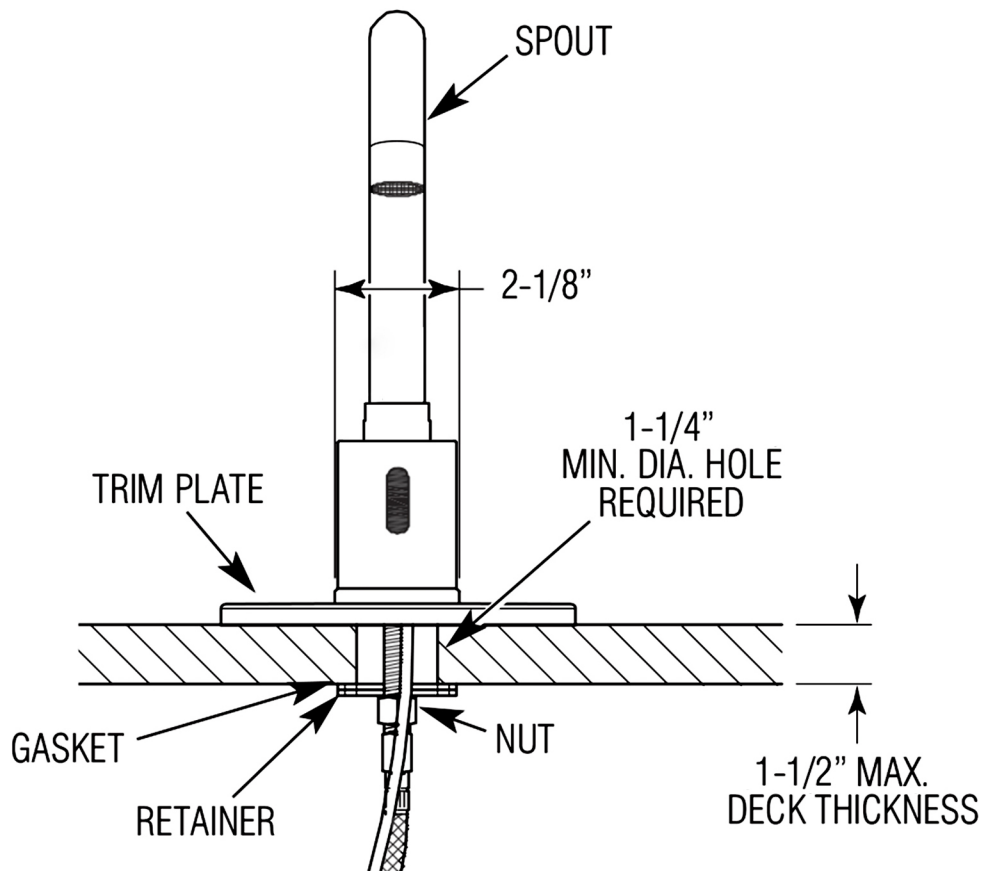
Adjustable Wrench



Hex Wrench

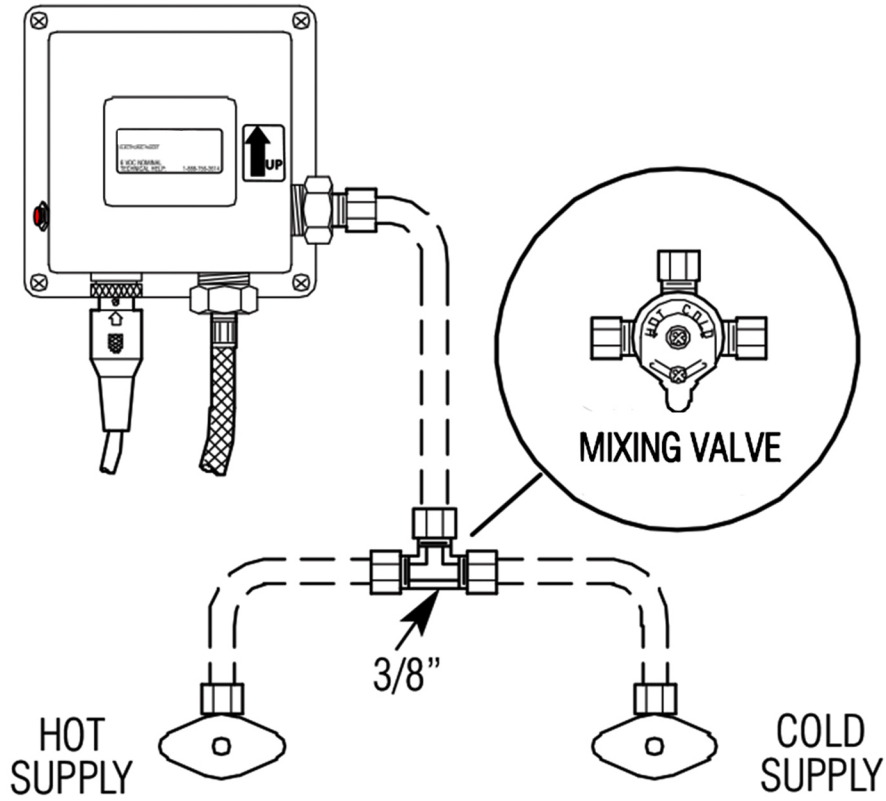
*not included

FONTANA Showers

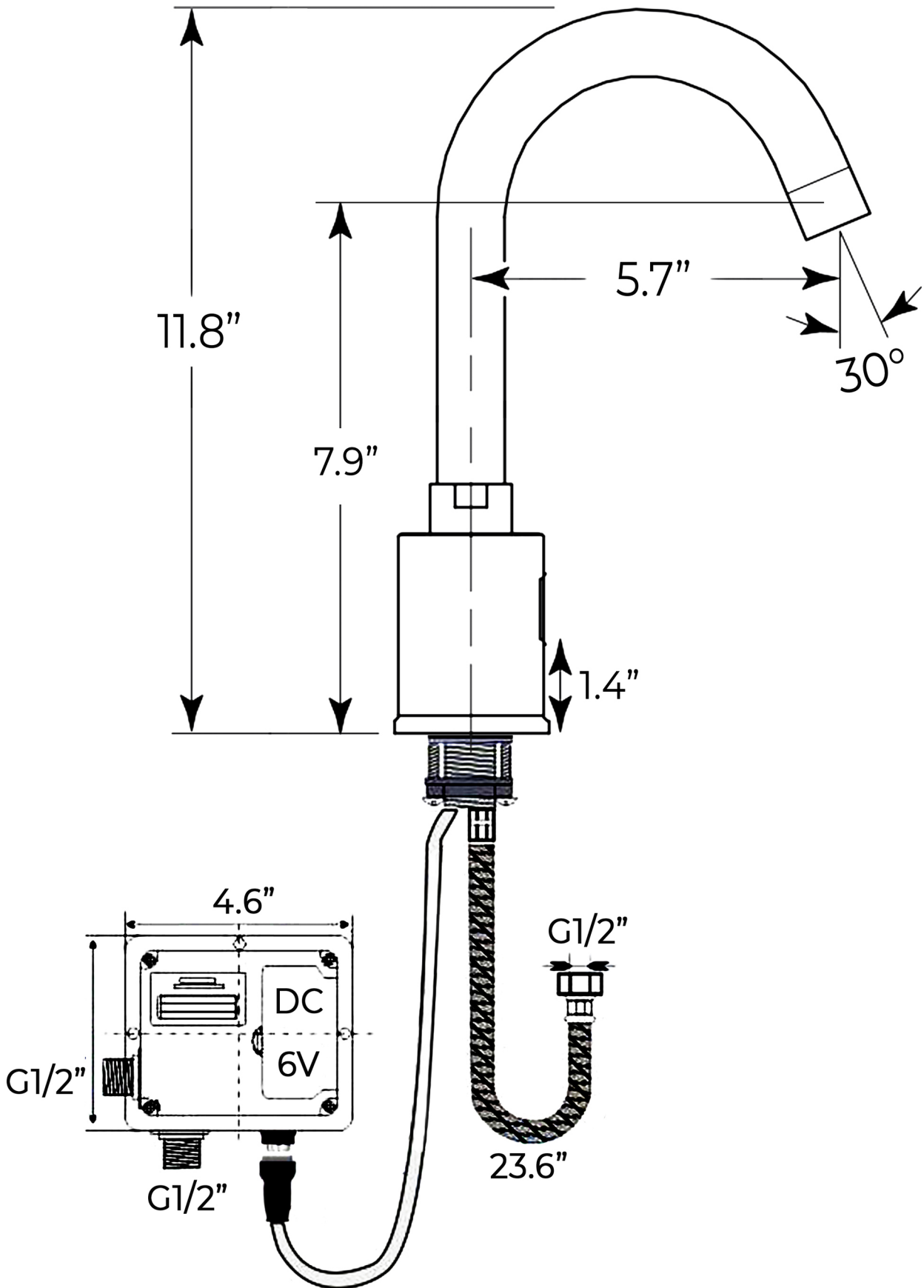


FONTANA Showers

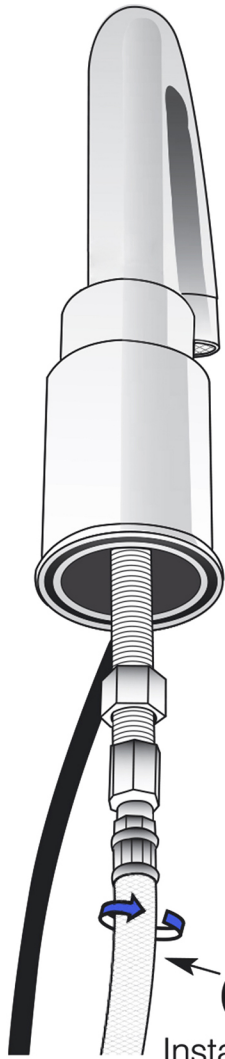
HOT AND COLD WATER



FONTANA Showers

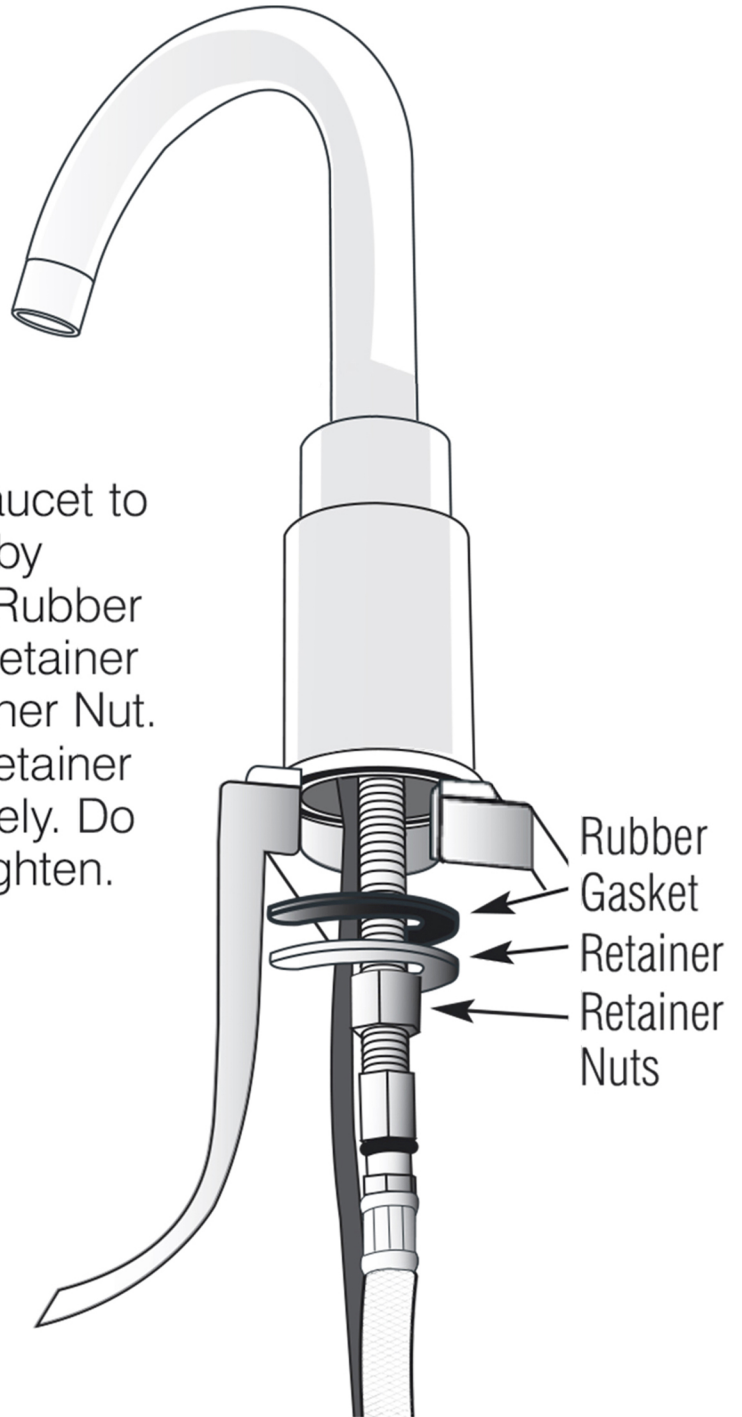


FONTANA Showers



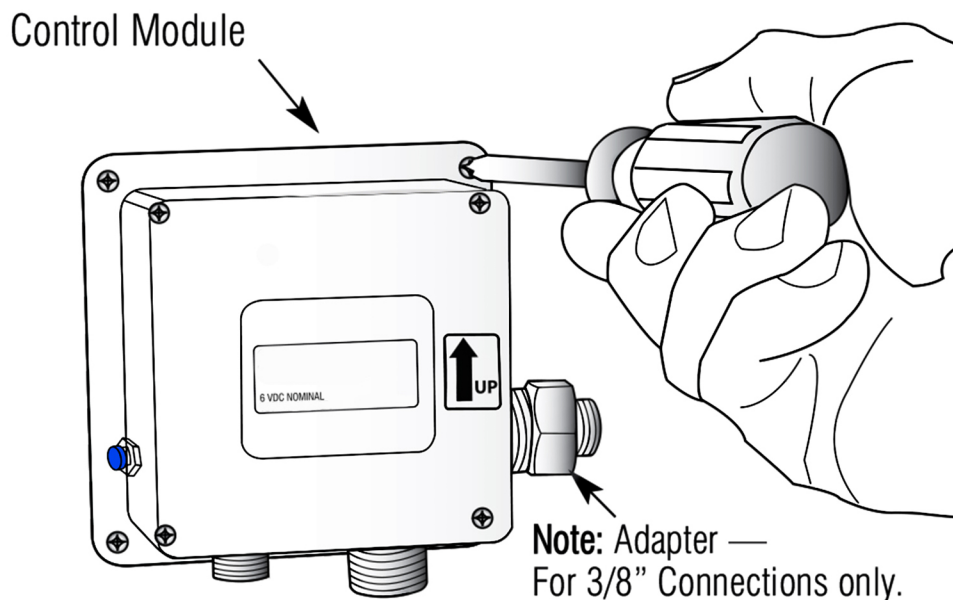
Install Flex Hose

A Secure Faucet to the Deck by installing Rubber Gasket, Retainer and Retainer Nut. Tighten Retainer Nut securely. Do not overtighten.

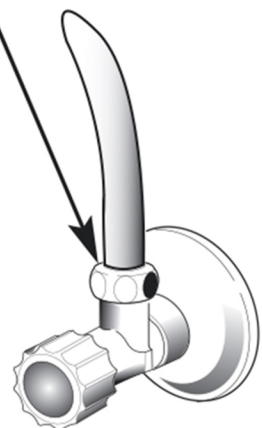
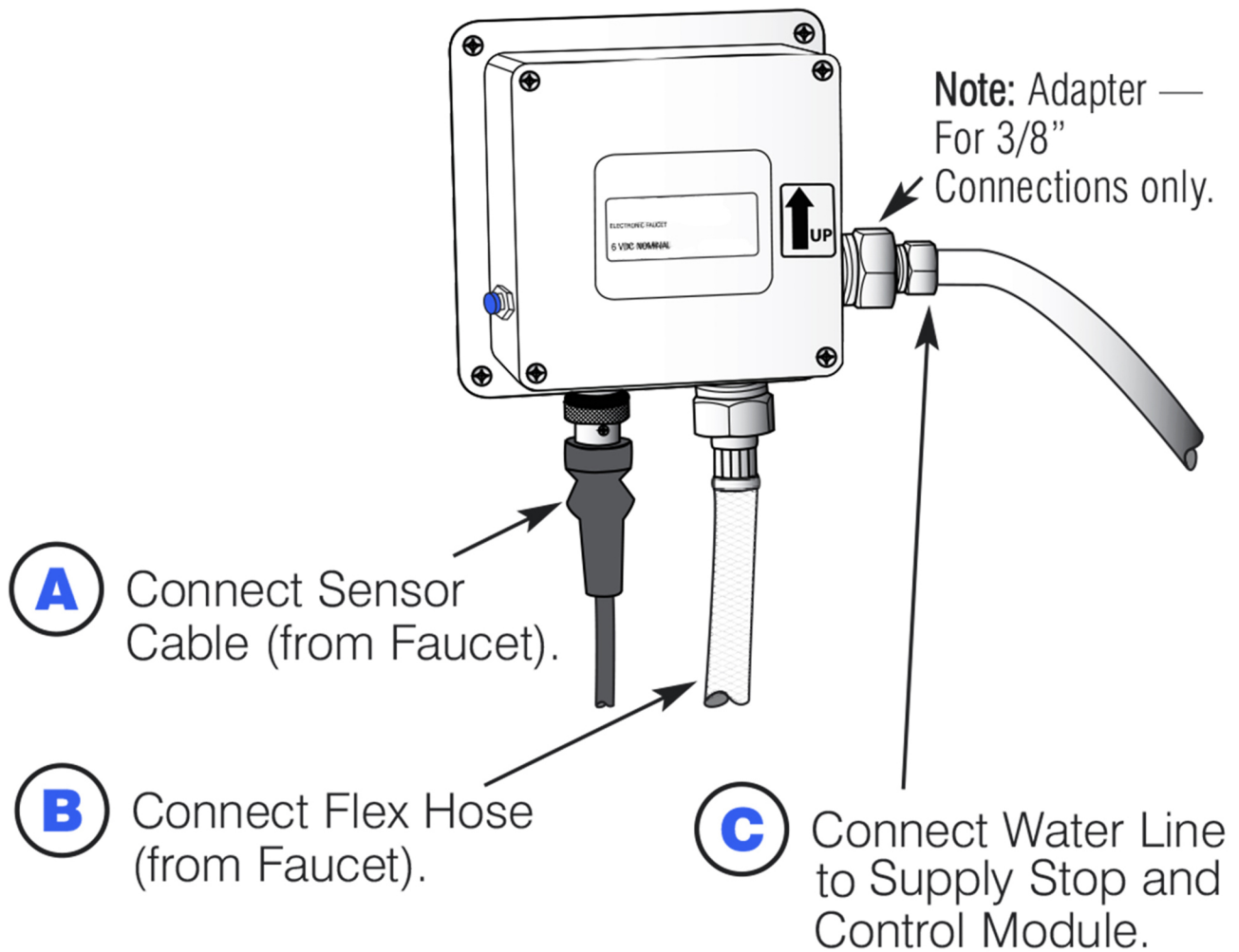


Install Control Module in an appropriate location (see Rough-in)

- A** Using Control Module as a template, mark mounting holes on wall. When installed, Sensor Cable and Flex Hose need some slack.
- B** Drill 1/4" (6 mm) hole at each mounting hole location.
- C** Install Plastic Anchors (supplied) into mounting holes in wall.
- D** Install Control Module to wall using Fasteners supplied.

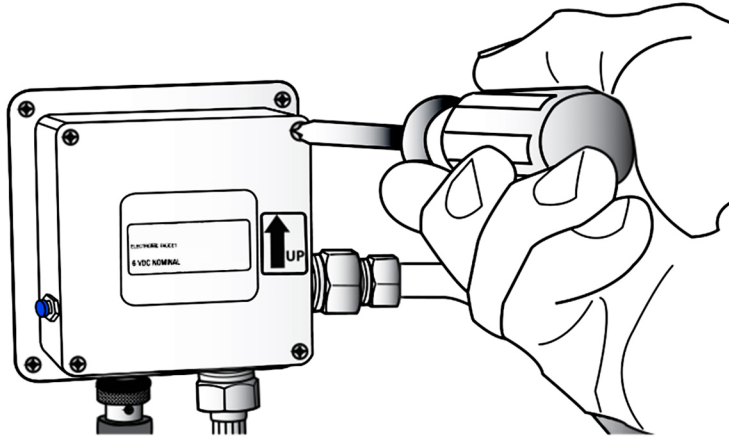


Connect Sensor Cable and Water Lines to Control Module

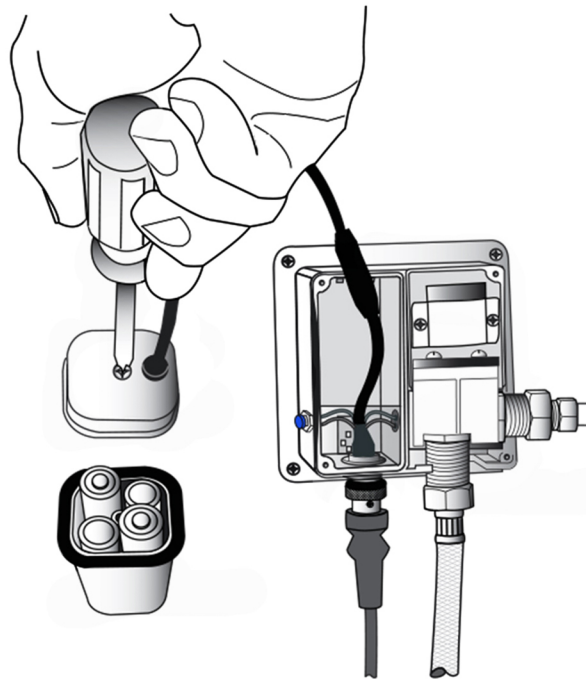


Install Batteries

- A** Loosen Cover Screws and remove Cover from Control Module.

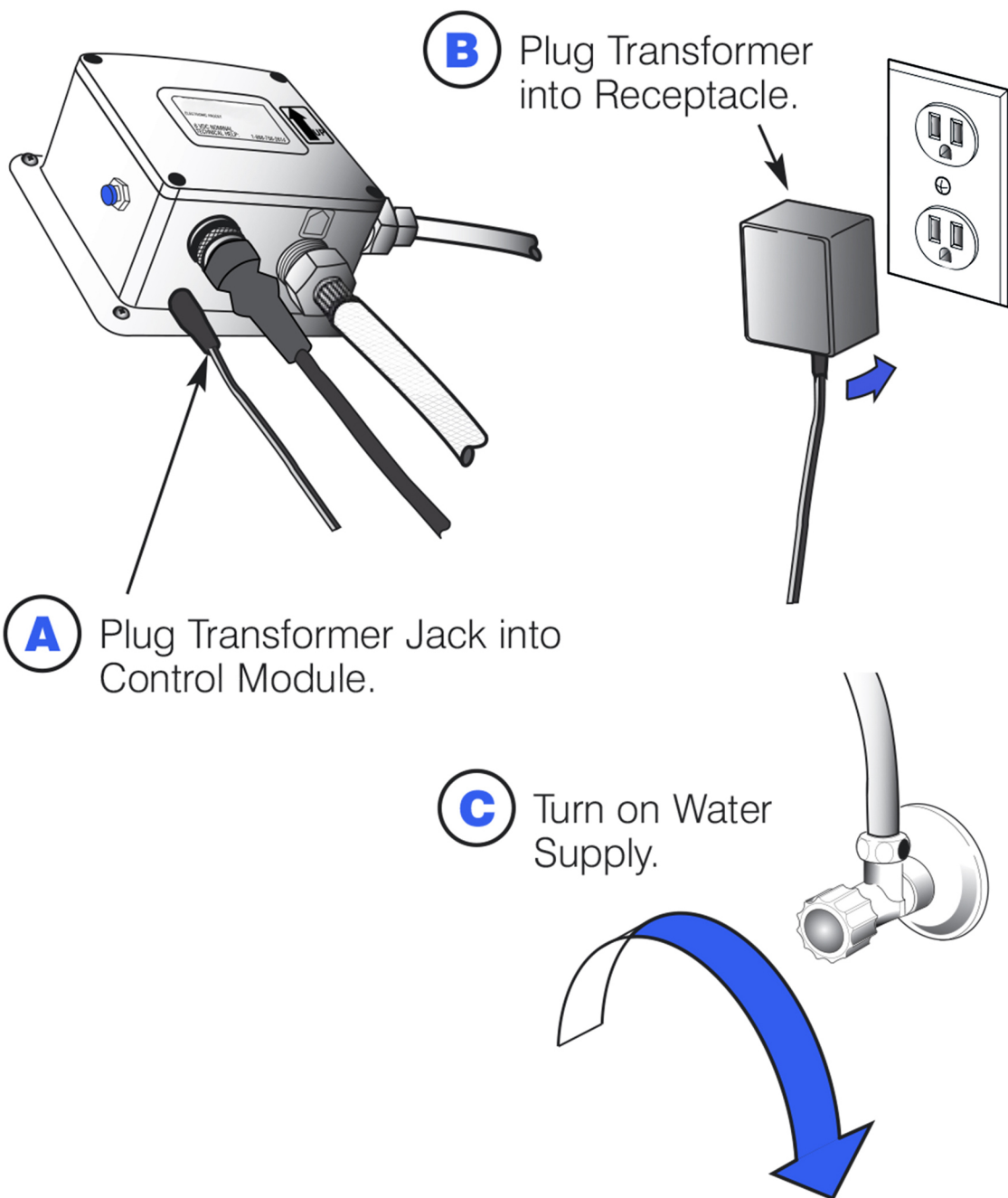


- B** Remove Battery Compartment, remove compartment lid using screwdriver and install four (4) AA-size batteries (supplied) as indicated by the (+) and (−) symbols inside the Battery Compartment. Replace compartment lid and tighten with screwdriver.



- C** Reinstall Battery Compartment into the Control Module.
- D** Reinstall Control Module Cover using all four (4) Screws.

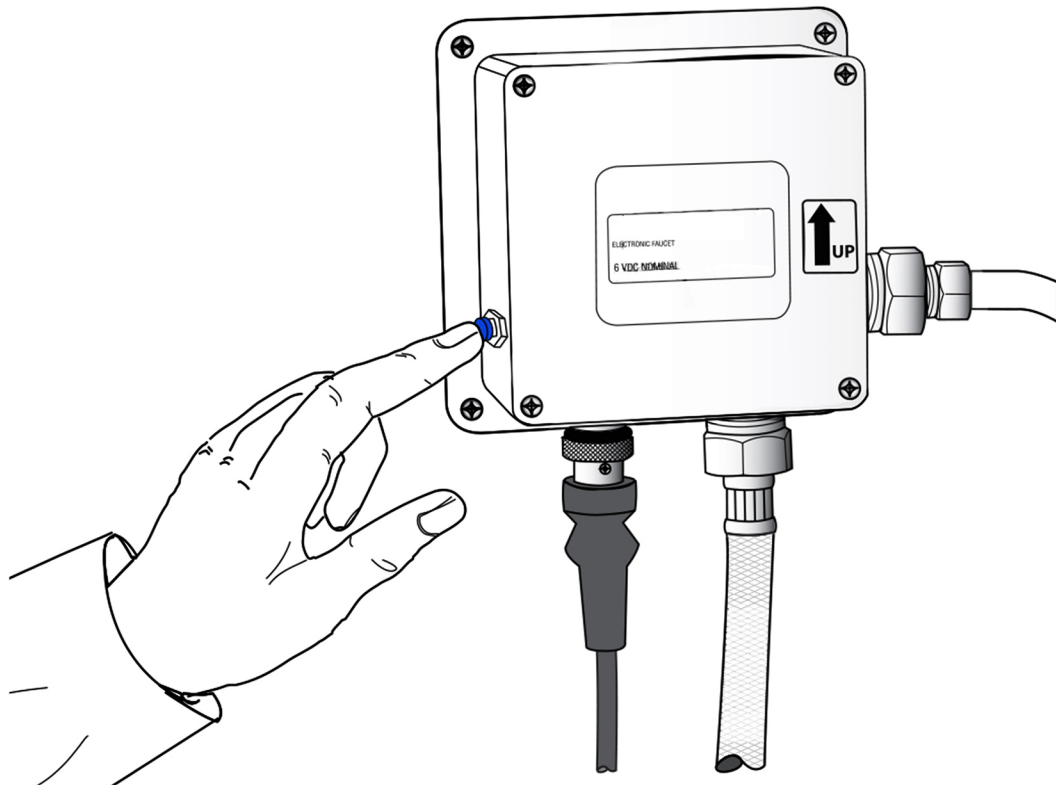
Connect Transformer (Transformer Powered Models only) and Turn on Water Supply



Set Range Adjustment

NOTE: Sensor Range can be adjusted after power is supplied to the Faucet (battery or hardwire).

- A** Hold the red button in until the sensor flashes (approximately 3 - 6 seconds).

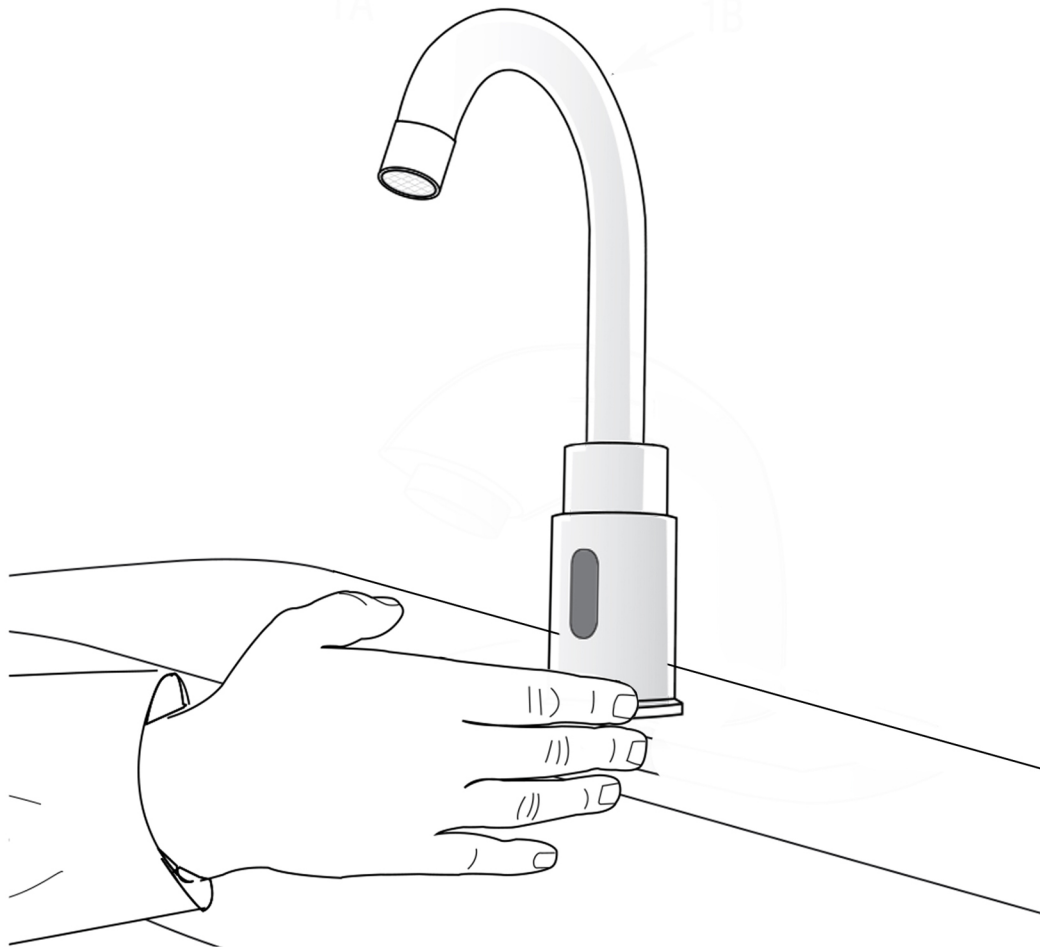


Set Range Adjustment

- B** Place your hand (or card) in front of the sensor at the distance you desire the Faucet to activate. Leave hand or card at this location while the sensor range is setting. Remove hand or card when the sensor light turns off. The sensor range is now set.

Note: The sensor range is dependent on the distance of your hand or card while the sensor is in range setting mode.

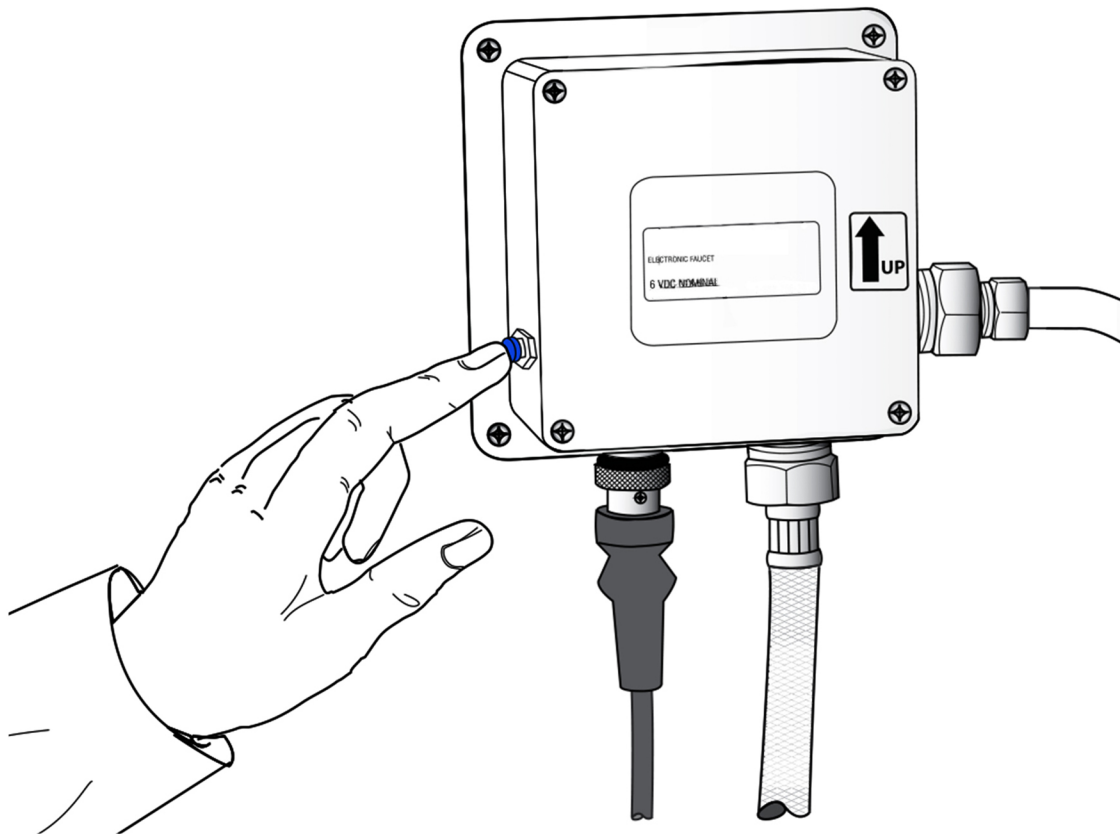
Note: If no target is placed in front of the sensor, the sensor range will set to its longest distance.



Set Water Flow Time-Out

NOTE: There are two available time-out settings; 7 seconds and 70 seconds.

- A** Hold the red button in for more than six seconds. The water flow time-out setting will change from 7 seconds to 70 seconds or from 70 seconds to 7 seconds.



FONTANA Showers

