

RHÔNE OIL RUBBED BRONZE SINGLE LEVER BATH FAUCET INSTALLTION INSTRUCTIONS



BEFORE YOU BEGIN

Before installing, read entire Installation Instructions. Observe all local building and safety codes.

For the following installation instructions for your new product it is assumed that any old fixtures have been removed and any repairs or modifications to the water supply have been completed. Unpack and inspect the product for any shipping damages. If you find damages, do not install.

Contact Customer Service at 703-378-2808. If you need assistance or have questions while installing your product, contact Customer Service.

We recommend consulting a professional if you are unfamiliar with installing bathroom fixtures.

TOOLS REQUIRED*



Plumber's Tape



Basin Wrench



Thread Sealant



Screwdriver



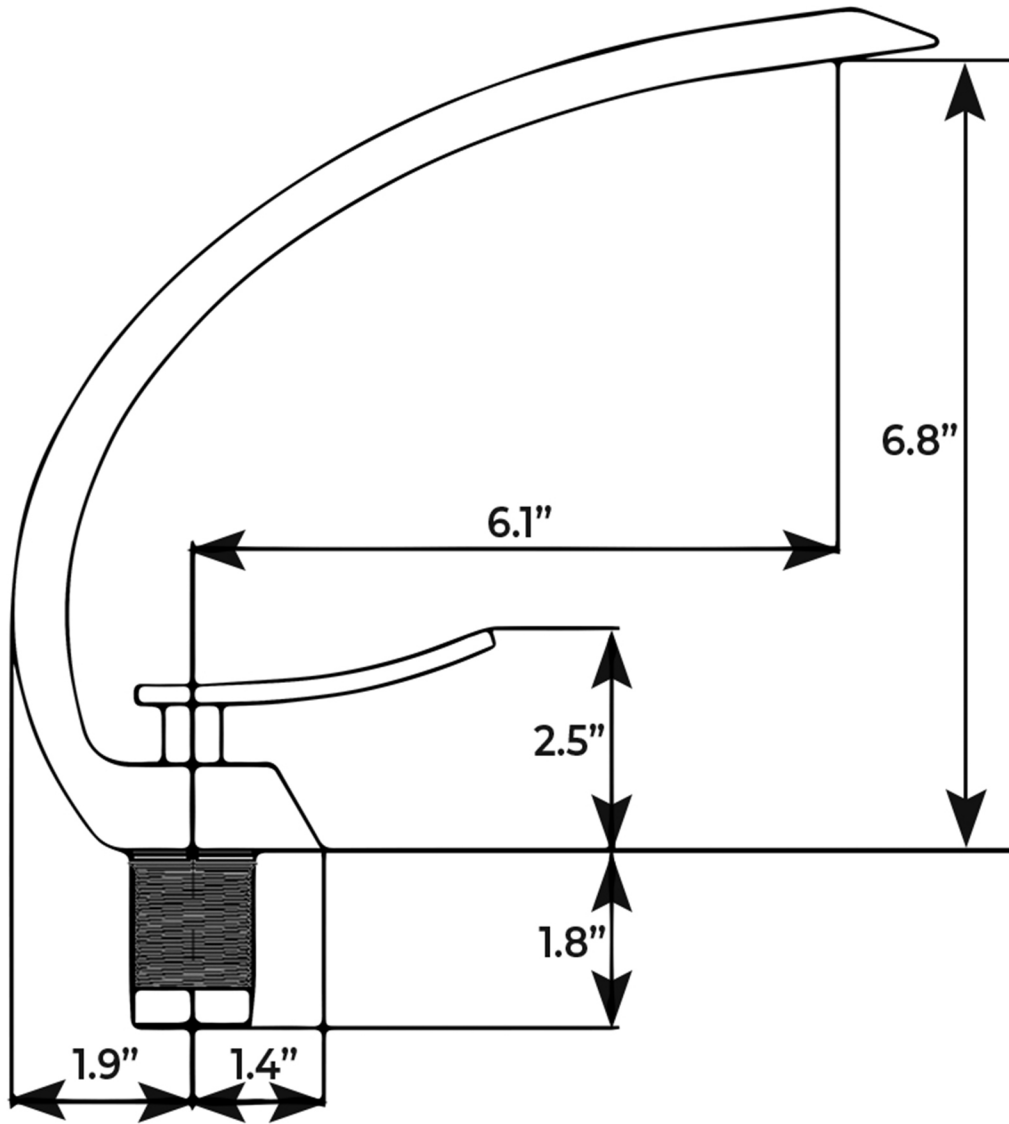
Adjustable Wrench



Hex Wrench

*not included

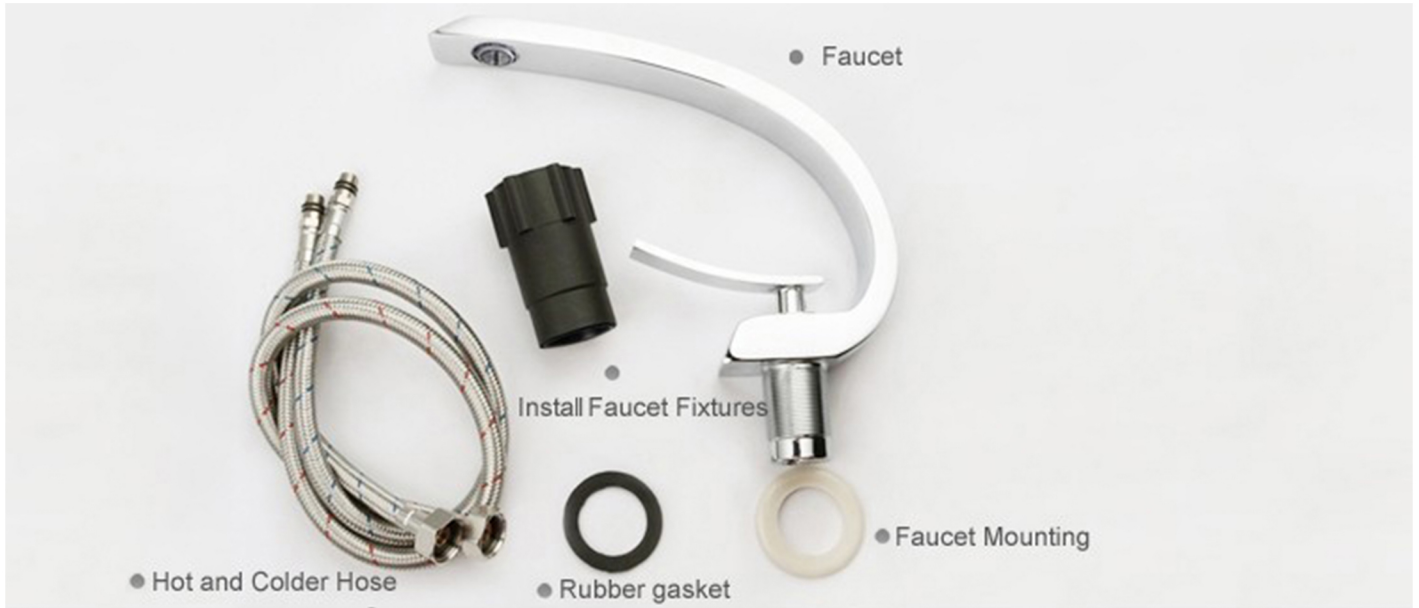
FONTANA Showers



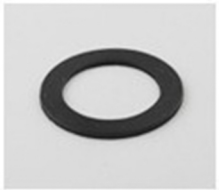
FONTANA Showers



FONTANA Showers



01 Rubber Gasket



02 Faucet Mounting Ring



03 Install Faucet Fixtures



04 Hot & Cold Webmaster



FONTANA Showers

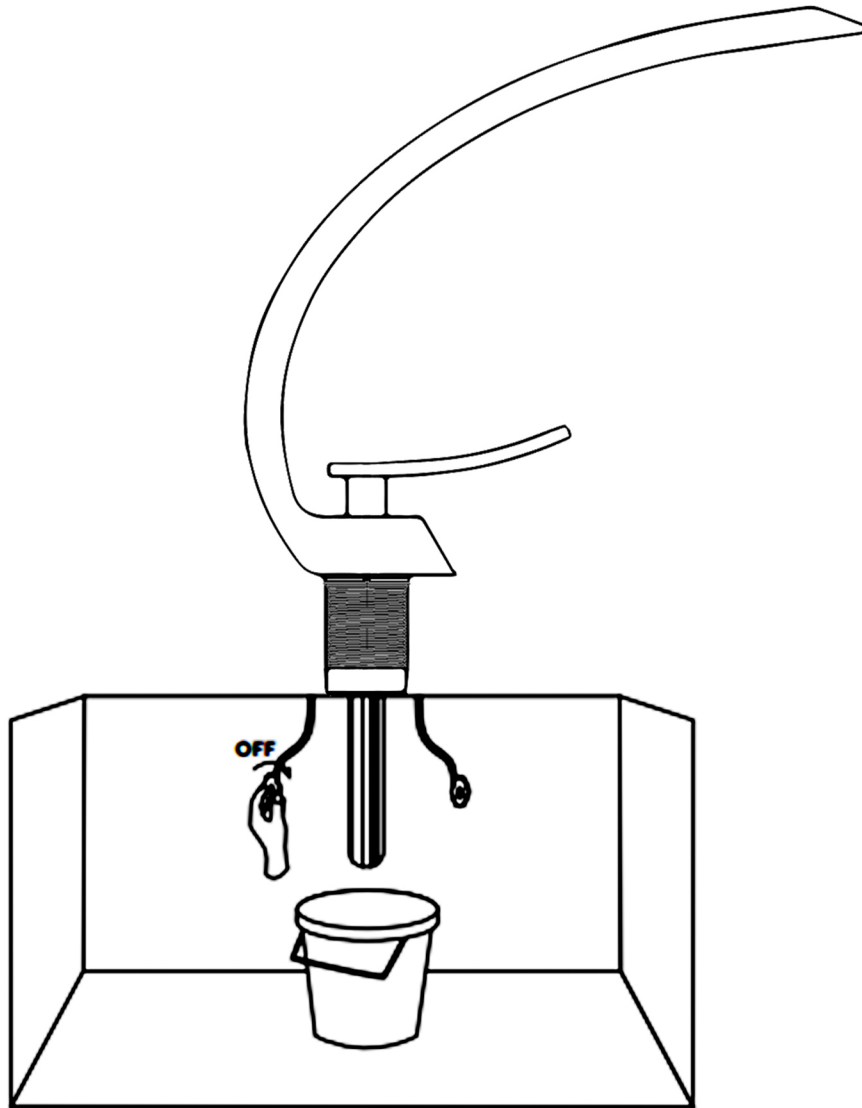


FONTANA Showers

INSTALLATION

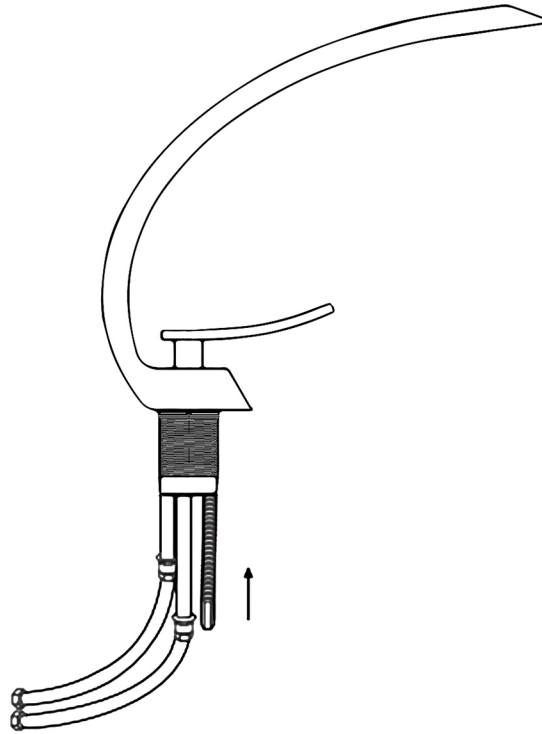
1. Ensure that the water supply below your sink is completely shut off by turning the shutoff valves all the way to the right.

Tip: Place a small bucket below your workspace to catch any water that may drip during the installation process.

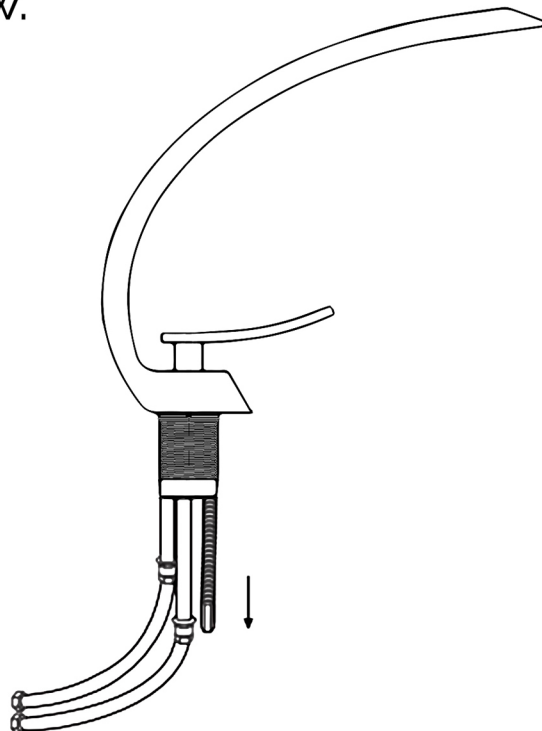


FONTANA Showers

2. Attach the provided braided water lines to the faucet until hand tight. Also attach the provided mounting post, tightening firmly using a screwdriver.

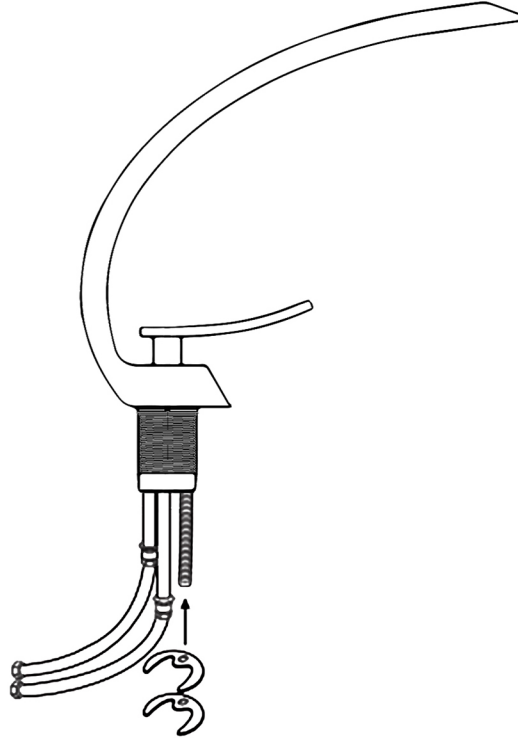


3. Remove the brass lock nut from the mounting posts. Set aside for now.

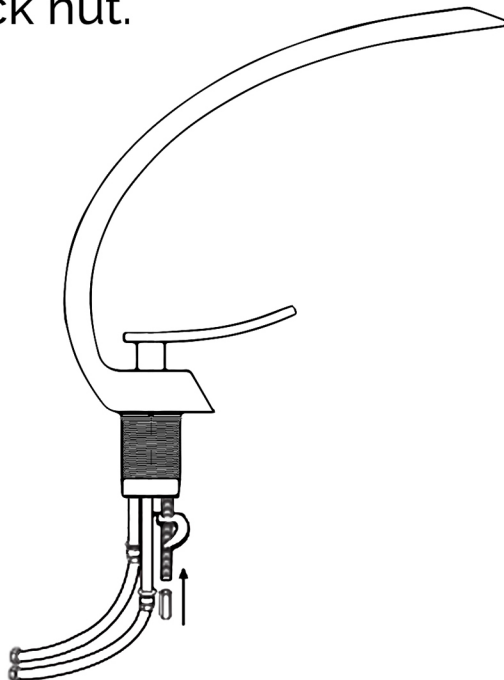


FONTANA Showers

4. Insert the faucet into its prepared mounting hole. From below, slide the rubber washer onto the mounting post followed by the metal washer. Hold in place.

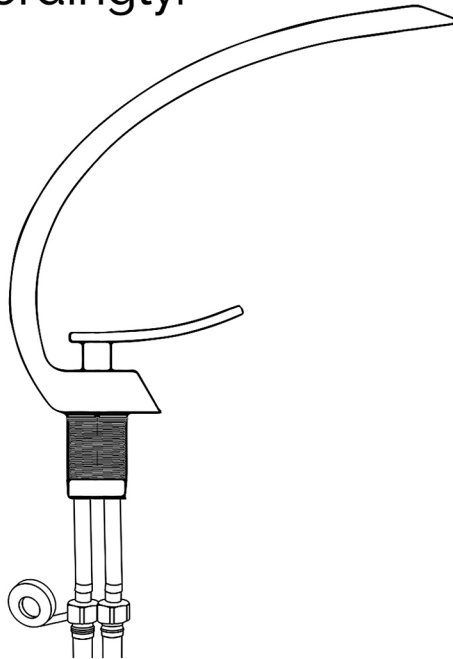


5. Secure the faucet by reattaching the brass lock nut that was removed in step 3. Hand tighten and adjust the faucet until it is properly aligned. Once aligned, finish firmly tightening the lock nut.

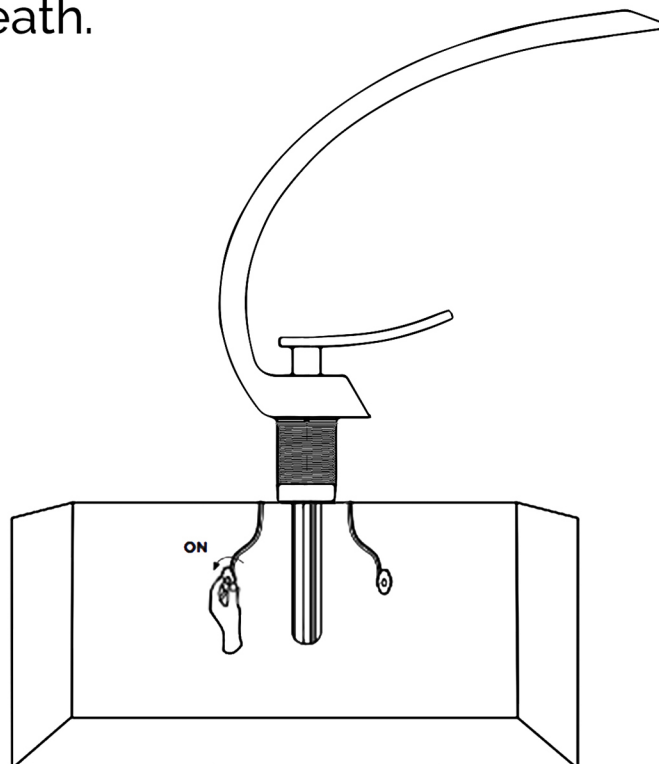


FONTANA Showers

6. Apply plumber's tape or thread sealant to the threading on each braided water line. Attach the water lines to your main water supply. Ensure that you are connecting the hot and cold lines accordingly.

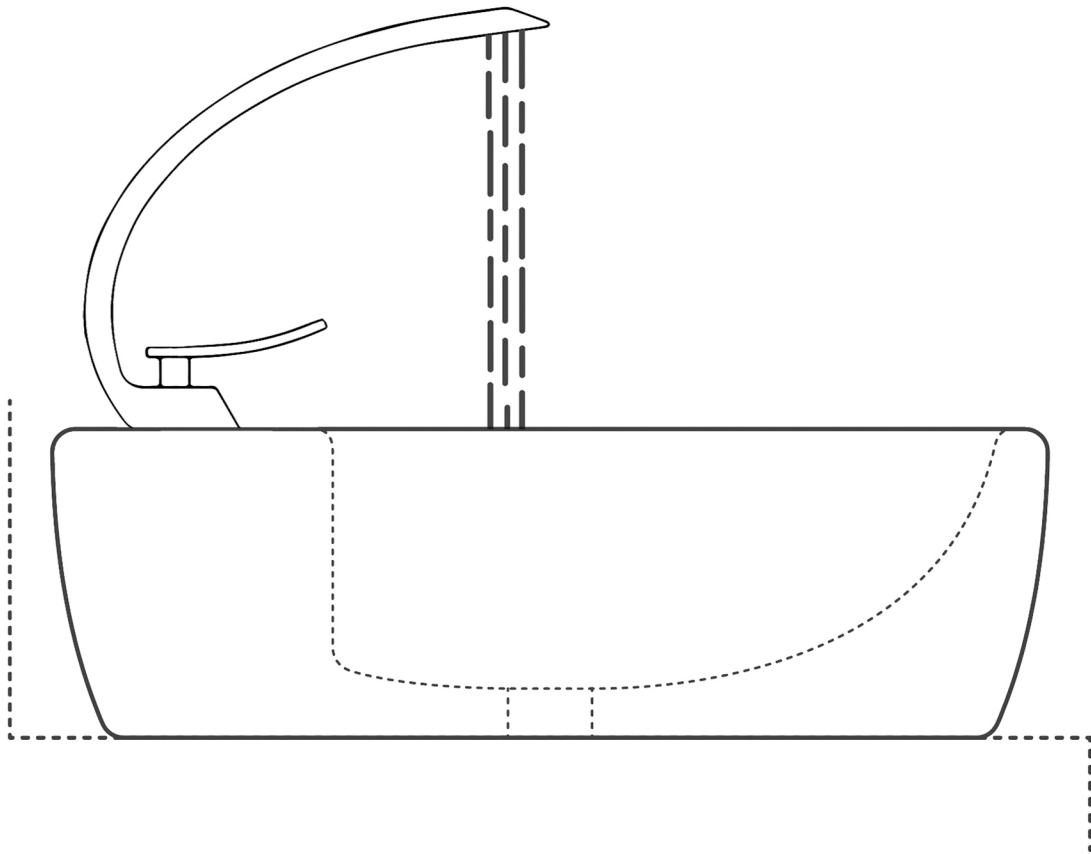


7. Once installation is complete, turn the main water supply back on from underneath your sink. Check for any leaks underneath.

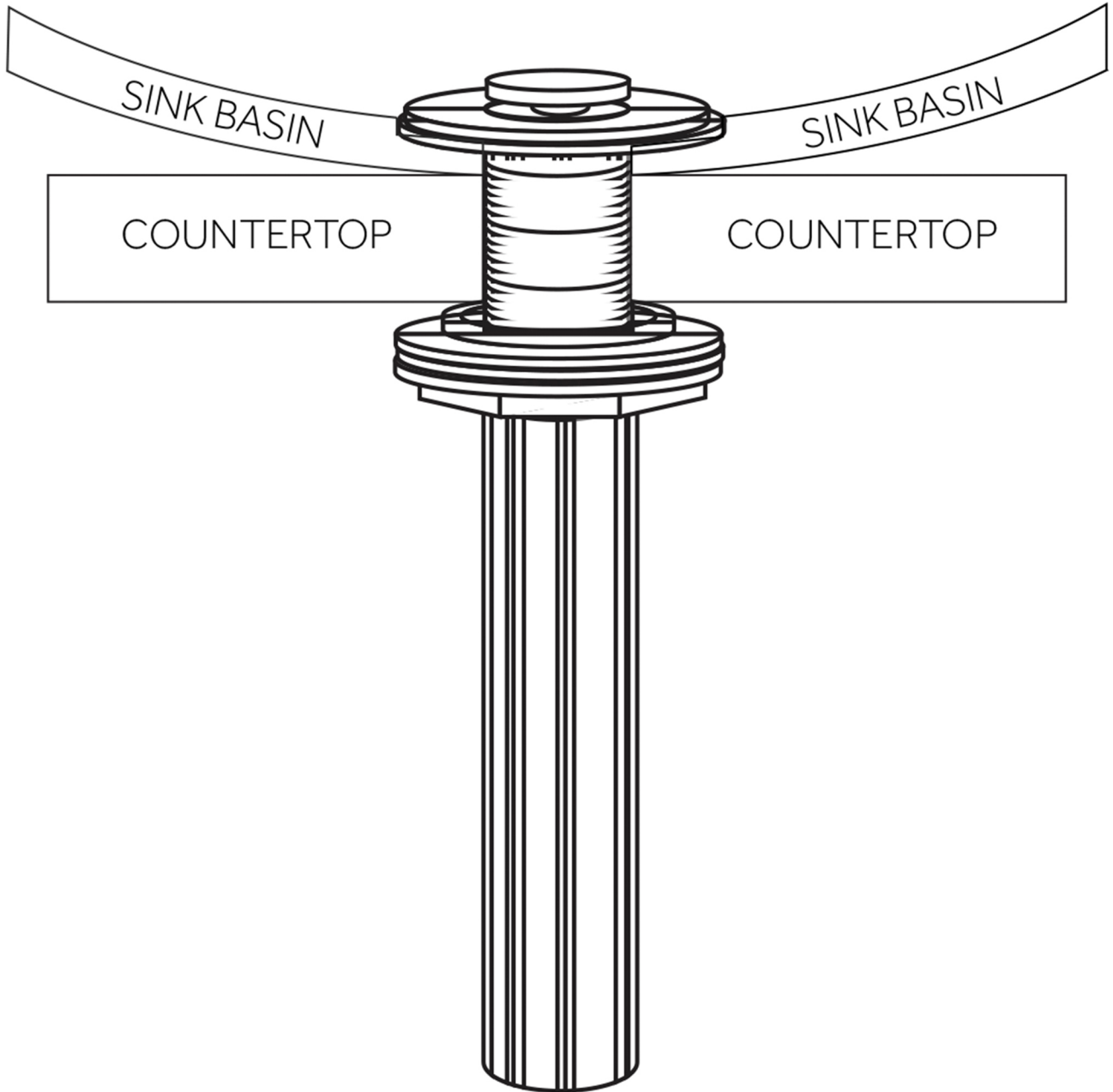


FONTANA Showers

8. Proceed to sink drain installation. Once complete, turn the faucet on and check for leaks. Check to ensure that both hot and cold water are running properly. Allow the water to flow for approximately 60 seconds to remove any dust or sediment within the water lines.



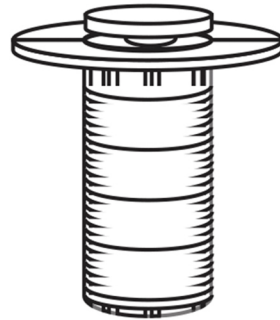
FONTANA Showers



DRAIN INSTALLATION

1. Disassemble the drain assembly and lay the parts aside, in the same order they were removed. See the illustration below as a reference if needed.

Pop-Up Drain Flange



Flat Rubber Gasket



Tapered Rubber Gasket



Plastic Friction Washer



Lock Nut

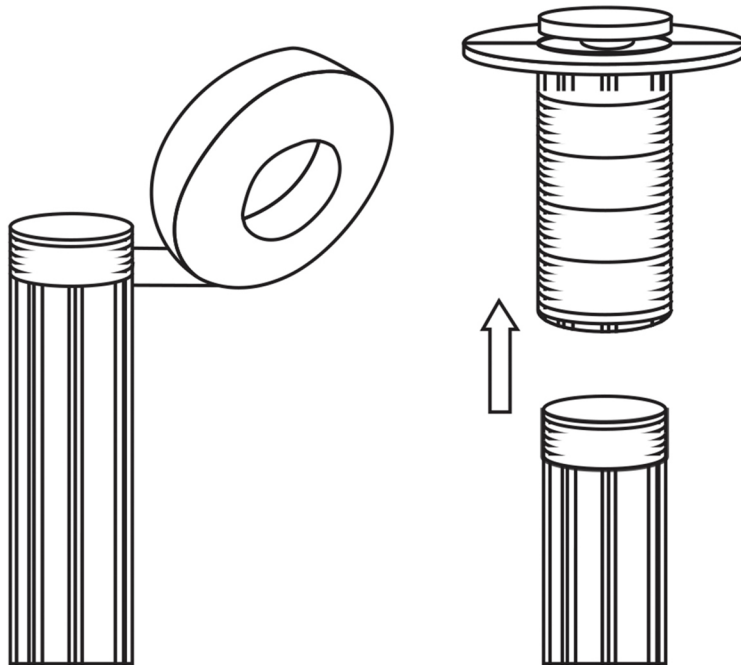


Tailpiece

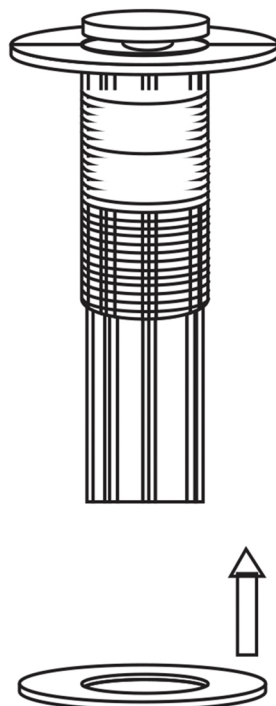


FONTANA Showers

2. Apply plumber's tape to the threading on the tailpiece, then reattach the tail piece to the pop-up drain flange.

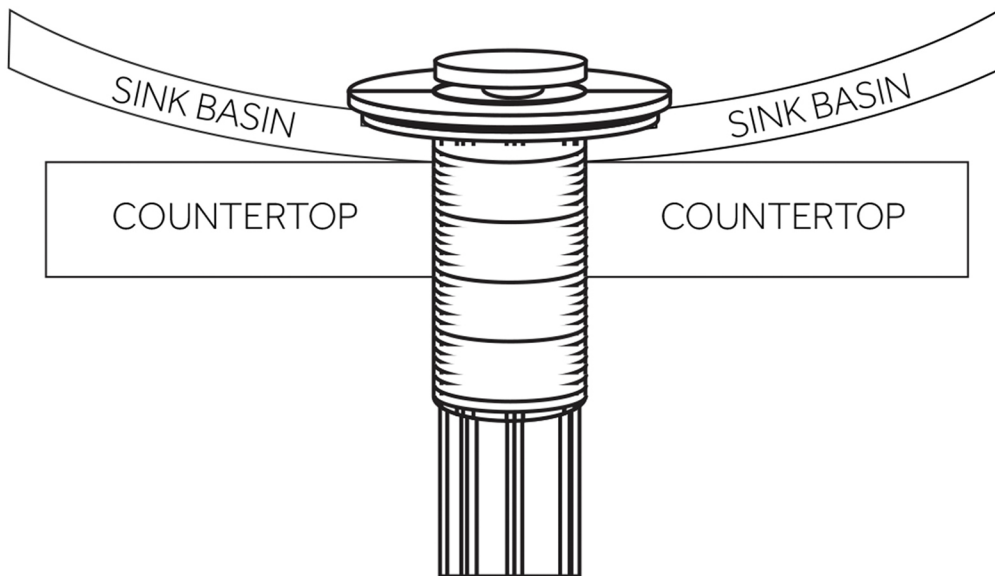


3. Slide the flat rubber gasket up the tailpiece until it meets the lip of the pop-up drain flange.

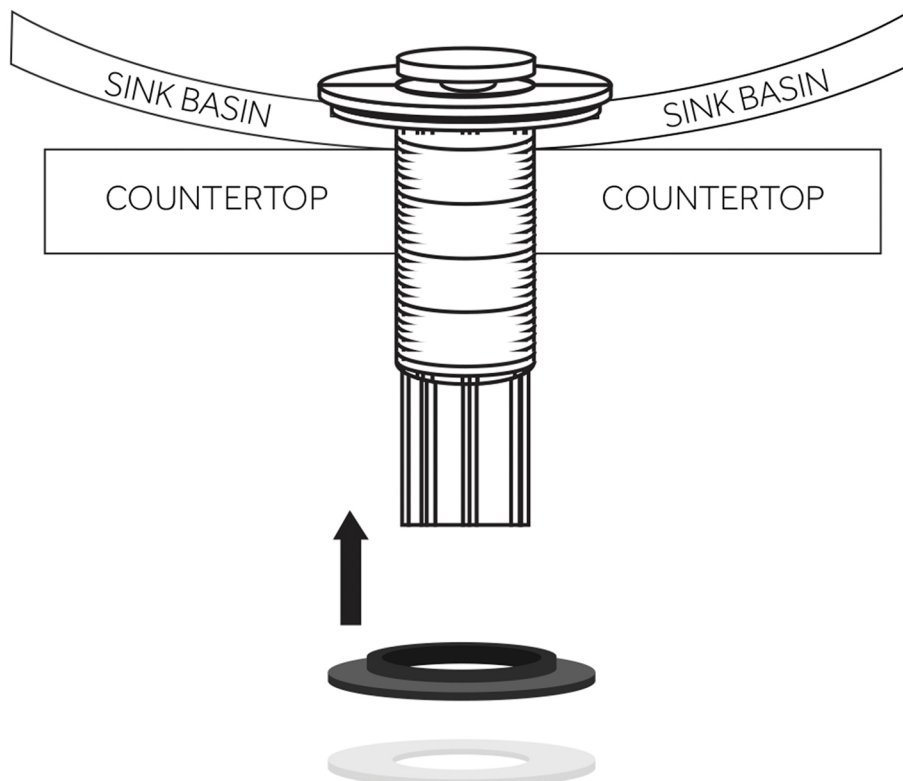


FONTANA Showers

4. Insert the drain flange and tailpiece through the top of your sink's drain hole.



5. From under your counter, slide the tapered rubber gasket followed by the plastic friction washer onto the tailpiece until they meet your sink or countertop. Be sure that the tapered side of the rubber washer is facing up.



FONTANA Showers

6. Thread the lock nut onto the drain flange. Hand tighten until secure, then finish tightening with a basin wrench once the drain is properly aligned.

Important: Be careful not to over-tighten, which could crack a porcelain sink or stone countertop.

