

VENICE GOLD PLATED BATHROOM 3PCS SINK FAUCET DUAL HANDLES CENTERSET MIXER TAP INSTALLTION INSTRUCTIONS



BEFORE YOU BEGIN

Before installing, read entire Installation Instructions. Observe all local building and safety codes.

For the following installation instructions for your new product it is assumed that any old fixtures have been removed and any repairs or modifications to the water supply have been completed. Unpack and inspect the product for any shipping damages. If you find damages, do not install.

Contact Customer Service at 703-378-2808. If you need assistance or have questions while installing your product, contact Customer Service.

We recommend consulting a professional if you are unfamiliar with installing bathroom fixtures.

TOOLS REQUIRED*



Plumber's Tape



Basin Wrench



Thread Sealant



Screwdriver



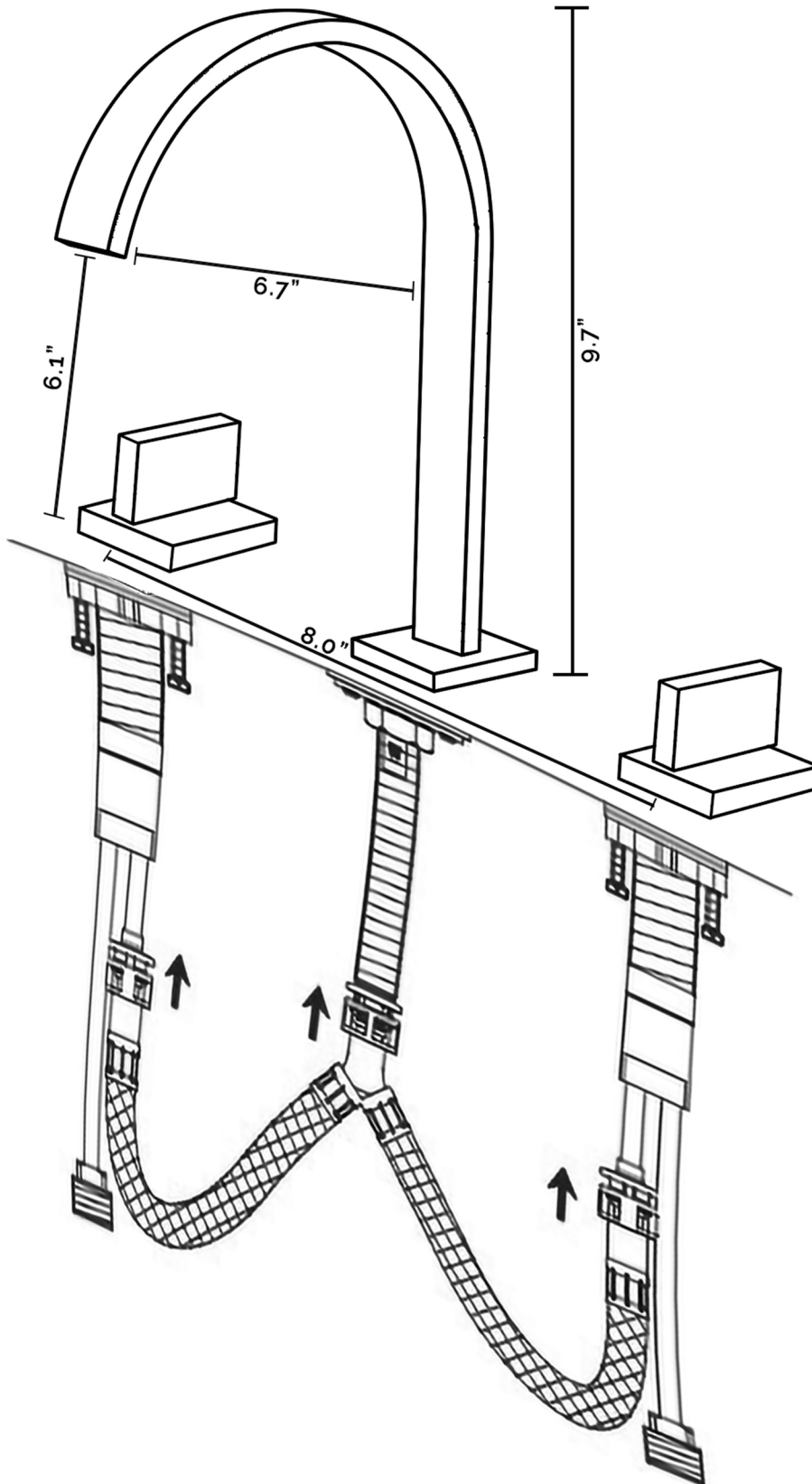
Adjustable Wrench



Hex Wrench

*not included

FONTANA Showers



FONTANA Showers

4. Install the quick connect hoses between the spout and the valves. Push onto the fitting to lock, pull down to check for secure connection.

NOTE: To install the quick fittings, follow these simple steps:

A. Push quick connect housing firmly upwards onto spout tube until a click is heard.

B. Pull down on quick connect housing. If you cannot pull off, the quick conned is secure.

To disconnect (C): Push up housing tight to clip. While holding assembly together, push down complete assembly to release from spout tube.

