

CATANIA DECK MOUNTED BATHROOM SINK FAUCET INSTALLTION INSTRUCTIONS



BEFORE YOU BEGIN

Before installing, read entire Installation Instructions. Observe all local building and safety codes.

For the following installation instructions for your new product it is assumed that any old fixtures have been removed and any repairs or modifications to the water supply have been completed. Unpack and inspect the product for any shipping damages. If you find damages, do not install.

Contact Customer Service at 703-378-2808. If you need assistance or have questions while installing your product, contact Customer Service.

We recommend consulting a professional if you are unfamiliar with installing bathroom fixtures.

TOOLS REQUIRED*



Plumber's Tape



Basin Wrench



Thread Sealant



Screwdriver



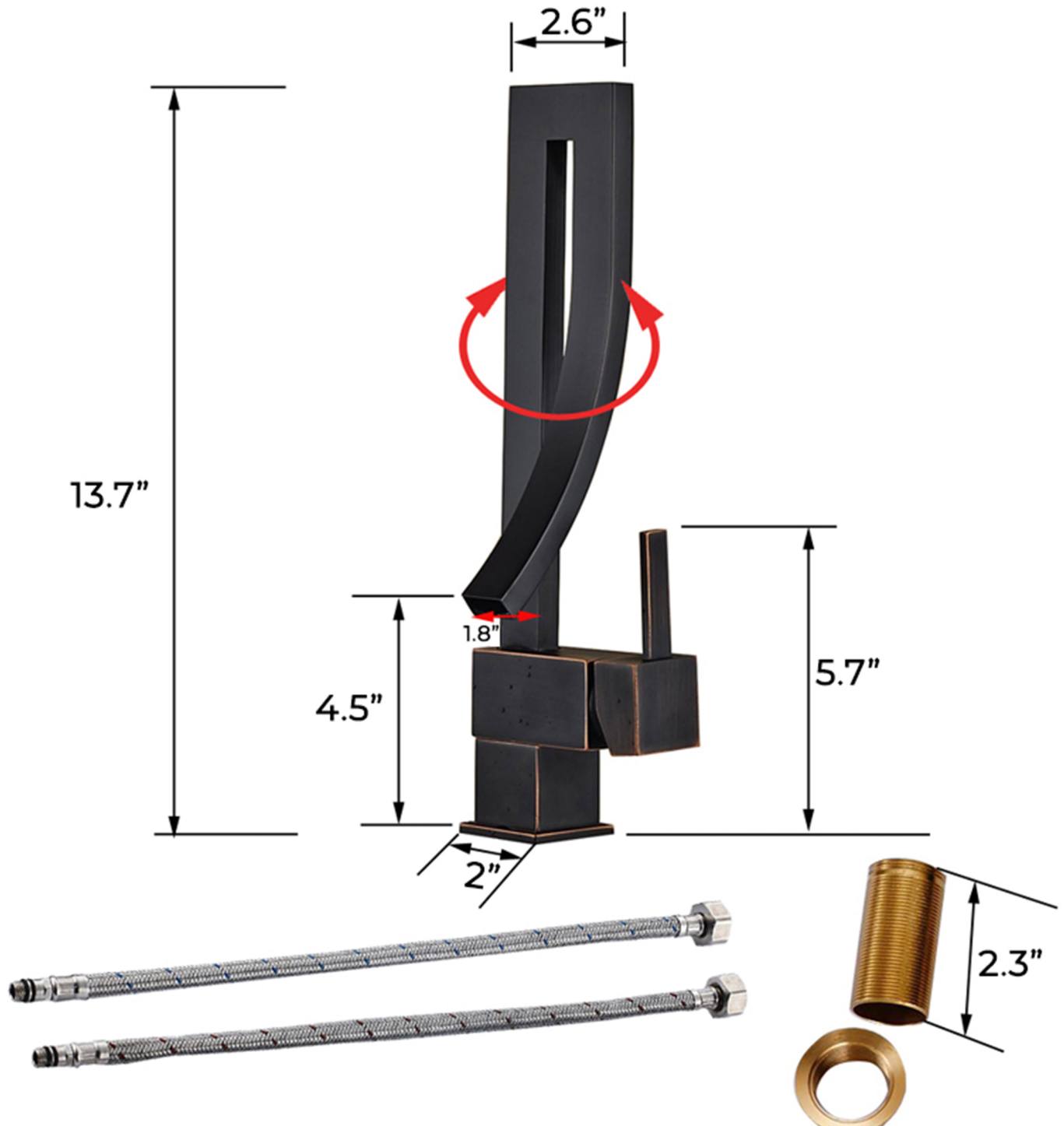
Adjustable Wrench



Hex Wrench

*not included

FONTANA Showers

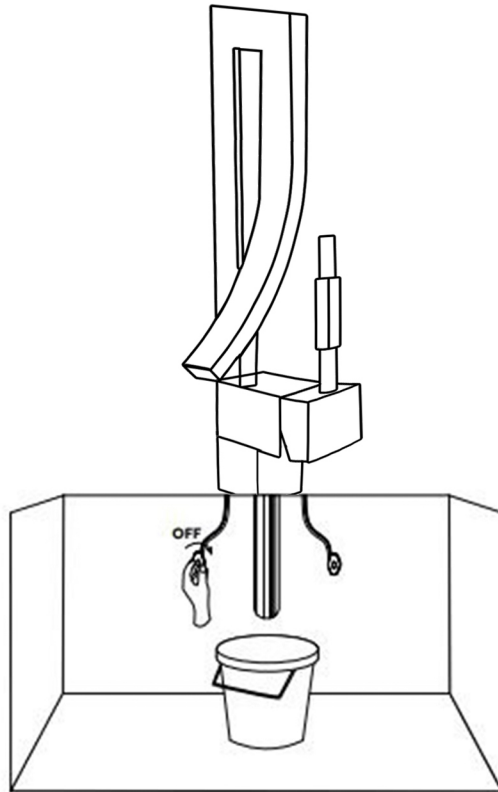


FONTANA Showers

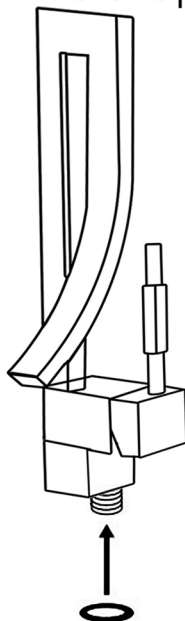
INSTALLATION

1. Ensure that the water supply below your sink is completely shut off by turning the shutoff valves all way to the right.

Tip: Place a small bucket below your workspace to catch any water that may drip during the installation process.

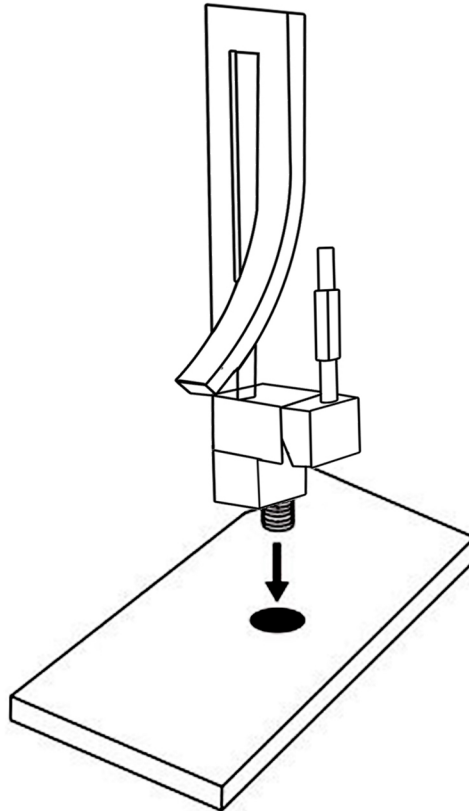


2. Slide shaped gasket up brass shank as far as possible, until its flush against the bottom of the sculpture, making certain the shape of the gasket marries up with the shape of the sculpture base.



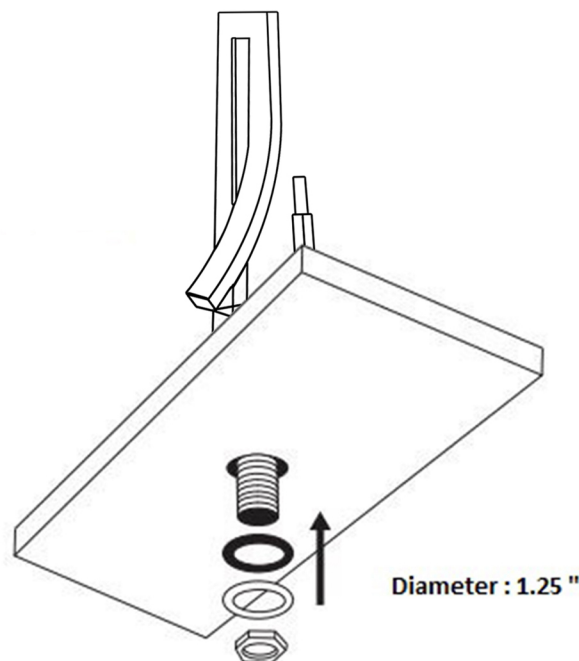
FONTANA Showers

3. Insert the faucet into its prepared mounting hole.



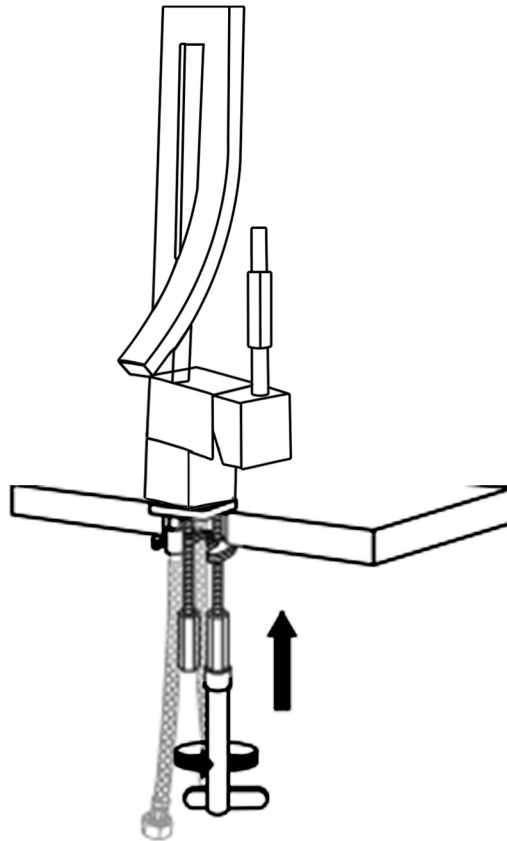
4. From below, slide the rubber washer followed by the metal washer onto the brass shank. Secure the faucet by hand-tightening the lock nut. Finish tightening using an adjustable wrench.

Important: Ensure the faucet and brass shank do not make contact with any other metal components beneath the sink.



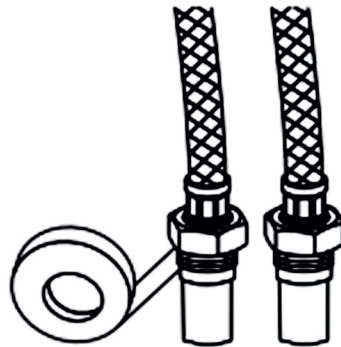
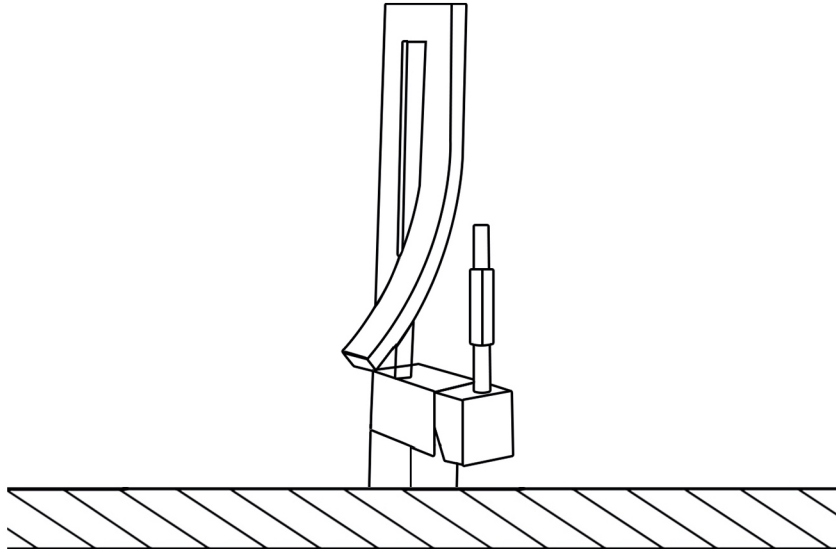
FONTANA Showers

5. From below, slide the rubber washer onto the mounting posts followed by the metal washer. Hold in place.
6. Hand tighten and adjust the faucet until it is properly aligned. Once aligned, use the provided basin wrench to finish tightening the lock nuts.



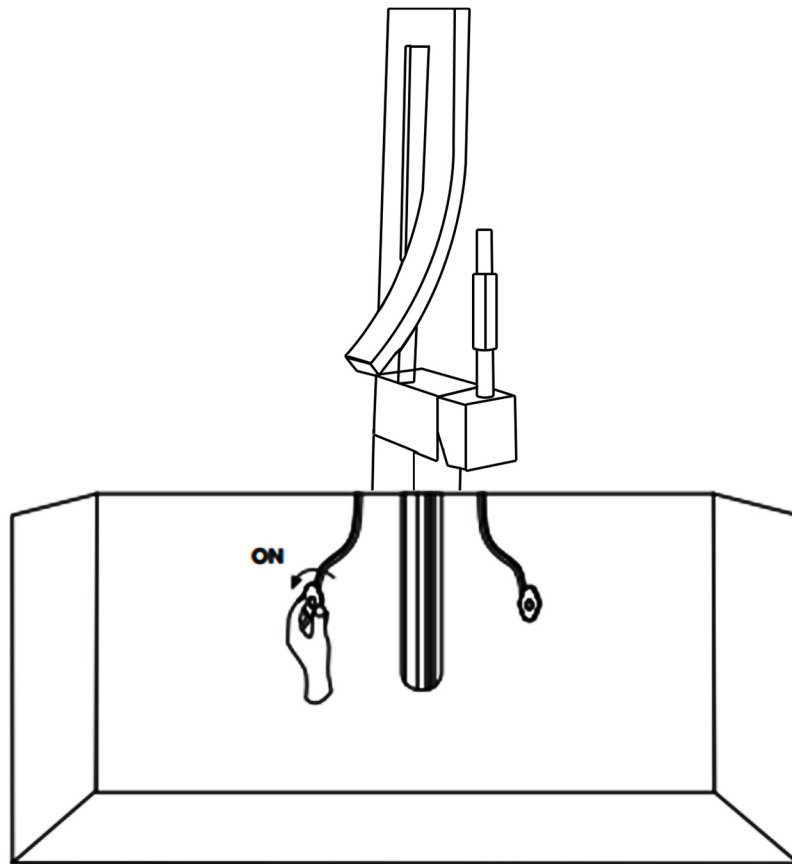
FONTANA Showers

7. Apply plumber's tape or thread sealant to the threading on each braided water line. Attach the water lines to your main water supply. Ensure that you are connecting the hot and cold lines accordingly.



FONTANA Showers

8. Once installation is complete, turn the main water supply back on from underneath your sink. Check for any leaks underneath.



9. Turn the faucet on and check for leaks. Check to ensure that both hot and cold water are running properly. Allow the water to flow for approximately 60 seconds to remove any dust or sediment within the water lines.

FONTANA Showers

