

TURIN 8" GOLD LED LUXURY RAINFALL SHOWER FAUCET W/ HAND SHOWER INSTALLTION INSTRUCTIONS



BEFORE YOU BEGIN

Before installing, read entire Installation Instructions. Observe all local building and safety codes.

For the following installation instructions for your new product it is assumed that any old fixtures have been removed and any repairs or modifications to the water supply have been completed. Unpack and inspect the product for any shipping damages. If you find damages, do not install.

Contact Customer Service at 703-378-1090. If you need assistance or have questions while installing your product, contact Customer Service.

We recommend consulting a professional if you are unfamiliar with installing bathroom fixtures.

TOOLS REQUIRED*



Plumber's Tape



Basin Wrench



Thread Sealant



Screwdriver

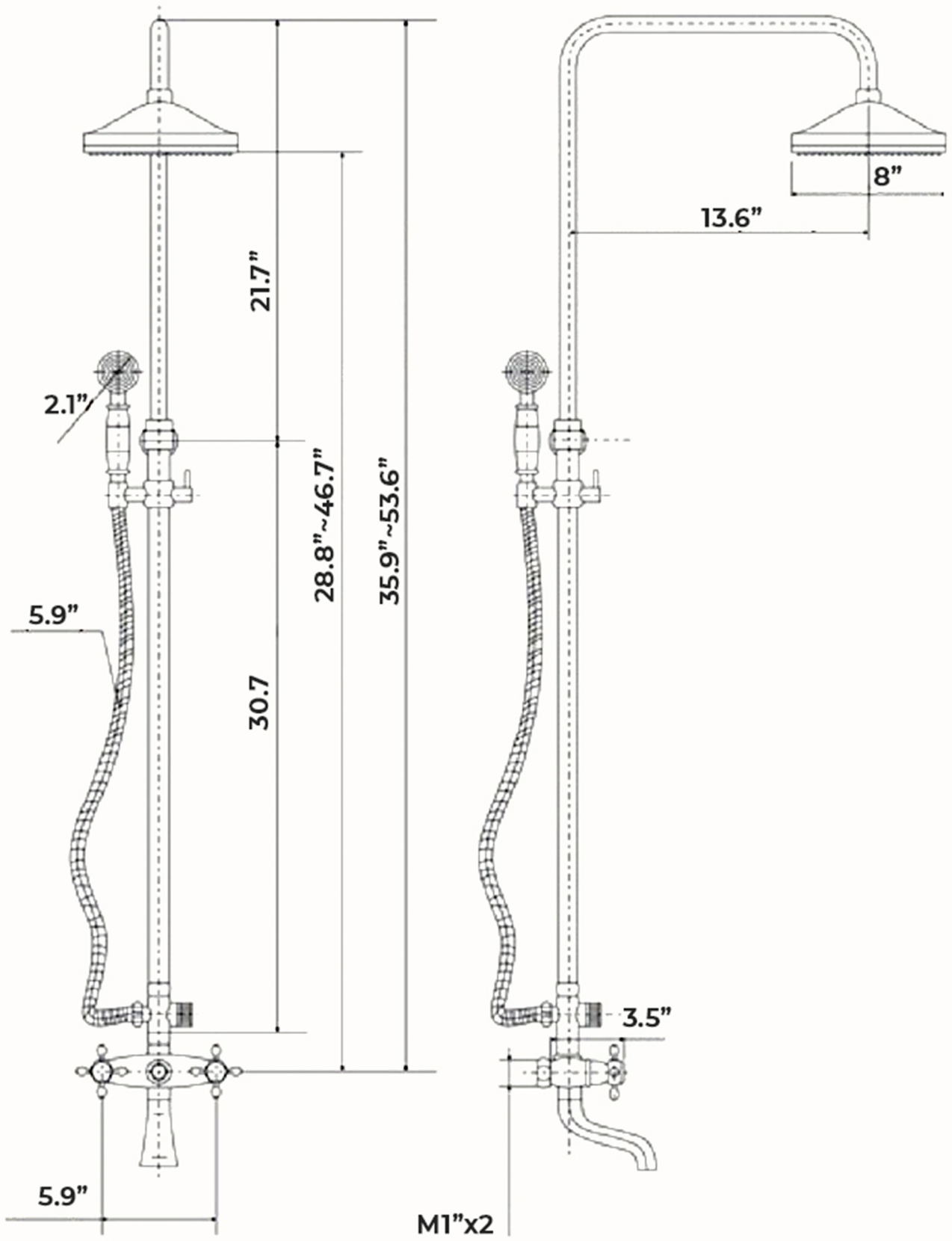


Adjustable Wrench



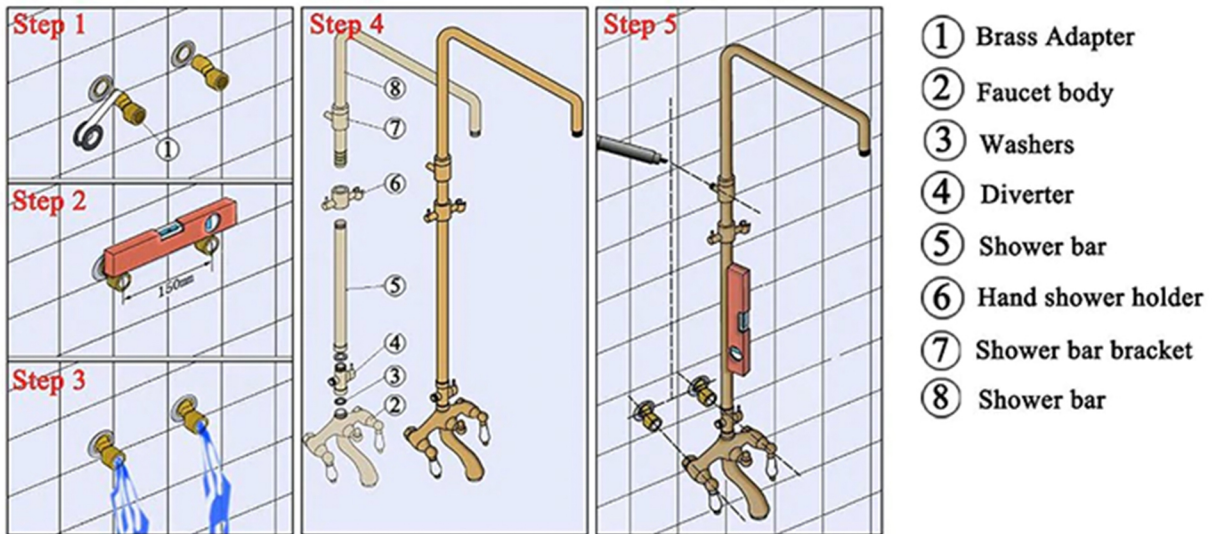
Hex Wrench

*not included





Installation instructions



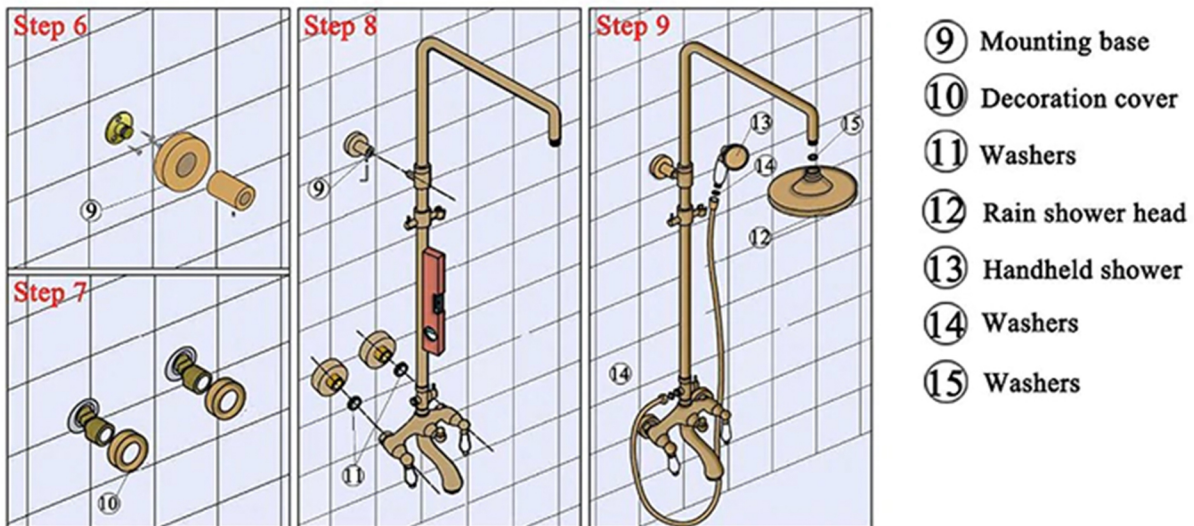
Step 1: Connect the brass adapter provided to water supply line.

Step 2: Adjust lever and distance to fit faucet body.

Step 3: Turn water valve on for a while to let the dust and impurities out.

Step 4: Assemble the shower set.

Step 5: Place pre-assembled shower in the wall to find proper position and then mark the mounting hole that needs to be drilled.



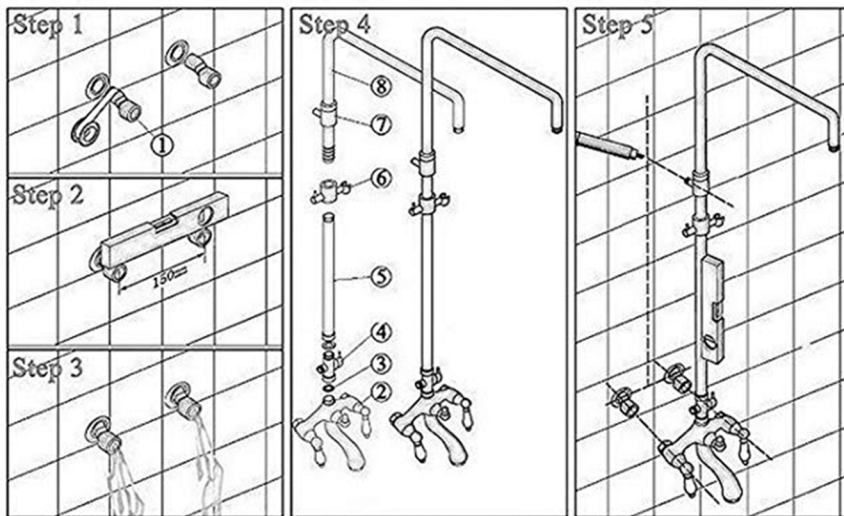
Step 6: Drill a hole for the upper part shower bar bracket, screw it.

Step 7: Place the decoration cover to the brass adapters.

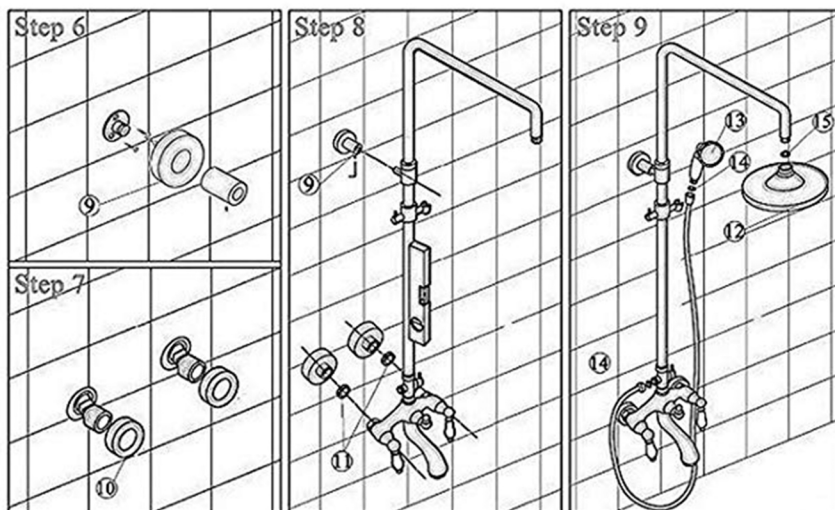
Step 8: Install the pre-assembled shower to the connections.

Step 9: Connect shower hose, handheld shower and rain shower head.





- ① Brass Adapter
- ② Faucet body
- ③ Washers
- ④ Diverter
- ⑤ Shower bar
- ⑥ Hand shower holder
- ⑦ Shower bar bracket
- ⑧ Shower bar



- ⑨ Mounting base
- ⑩ Decoration cover
- ⑪ Washers
- ⑫ Rain shower head
- ⑬ Handheld shower
- ⑭ Washers
- ⑮ Washers

Step 1. Connect the brass adapter provided to water supply line.

Step 2. Adjust lever and distance to fit faucet body

Step 3. Turn water valve on for a while to let the dust and impurities out.

Step 4. Assemble the shower set

Step 5. Place pre-assembled shower in the wall to find proper position and then mark the mounting hole need to be drilled.

Step 6. Drill a hole for the upper part shower bar bracket, screw it.

Step 7. Place the decoration cover to the brass adapters.

Step 8. Install the pre-assembled shower to the connections.

Step 9. Connect shower hose, handheld shower and rain shower head.