

20X14" RAINFALL EMBEDDED CEILING MOUNT SINGLE COLOR LED SHOWER HEAD INSTALLTION INSTRUCTIONS



BEFORE YOU BEGIN

Before installing, read entire Installation Instructions. Observe all local building and safety codes.

For the following installation instructions for your new product it is assumed that any old fixtures have been removed and any repairs or modifications to the water supply have been completed. Unpack and inspect the product for any shipping damages. If you find damages, do not install.

Contact Customer Service at 703-378-1090. If you need assistance or have questions while installing your product, contact Customer Service.

We recommend consulting a professional if you are unfamiliar with installing bathroom fixtures.

TOOLS REQUIRED*



Plumber's Tape



Basin Wrench



Thread Sealant



Screwdriver



Adjustable Wrench



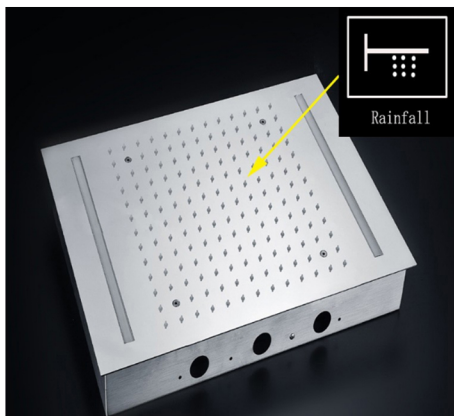
Hex Wrench

*not included

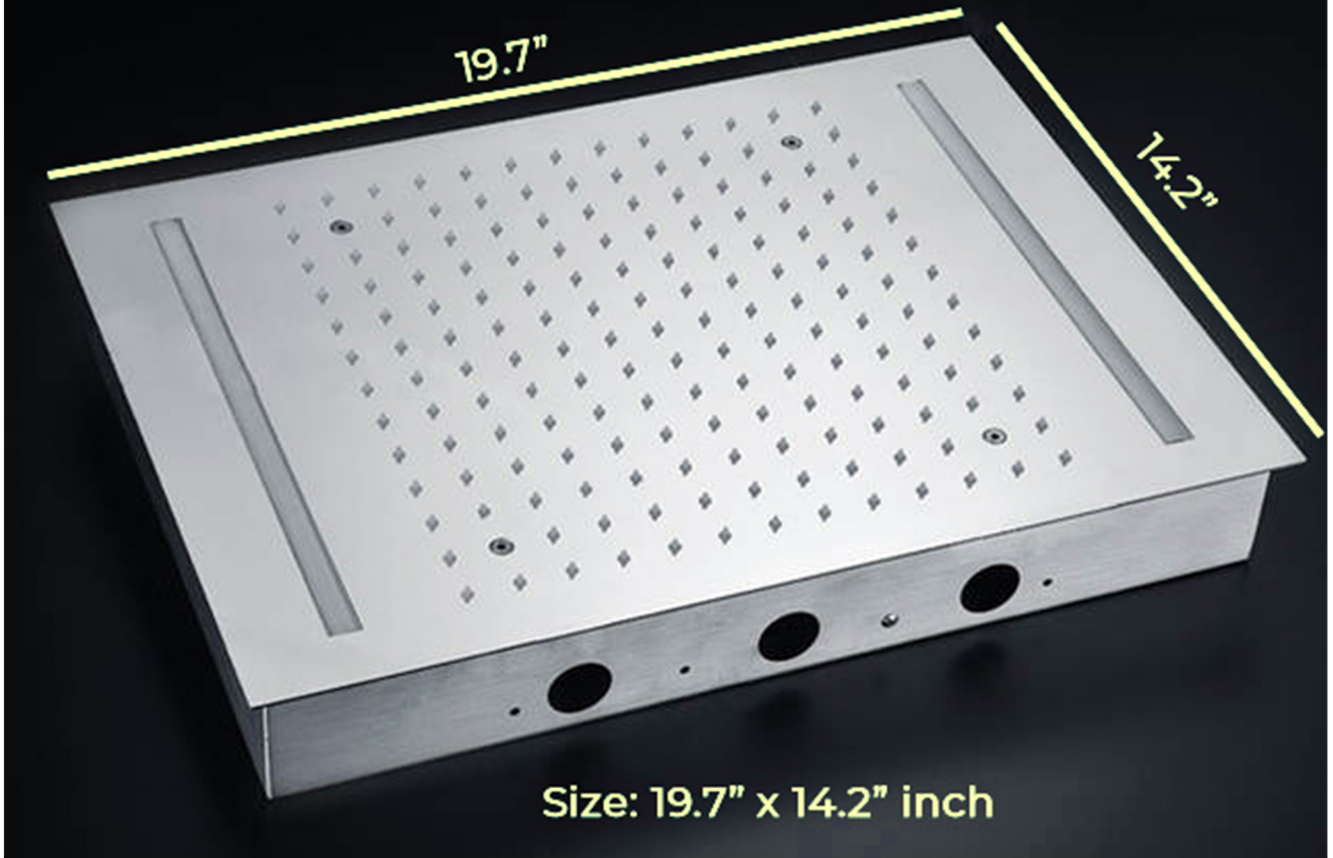
INSTALLATION

1. Attach the upper wall support to the shower wall using a drill and the mounting hardware provided. Use a level to ensure that the shower riser is perfectly straight.
2. Place thread sealant on the 1/2" pipe threads in the shower wall and thread on the mounting nuts. Allow sealant to cure for 24 hours before use.
3. Attach the hot and cold valve bodies and decorative escutcheons (if included) directly to the pipe threads. Tighten with an adjustable wrench to secure.
4. To install a hand-held shower, mount the cradle at a suitable height for the user with the hardware provided. Attach the hose to the faucet with any rubber washers or sealing gaskets included. If your system does not feature a hand-held shower move on to the next step.
5. Attach the shower head to the top of the riser and tighten with a smooth jaw wrench. Do not tighten more than $\frac{1}{4}$ turn beyond hand tight.
6. Turn on the water supply and open the faucet valves. Check for any leaks and verify that the hot and cold supplies are working correctly. Let the water flow through the riser pipe and shower hose for approximately 30 seconds to clear out debris and dirt.

Note: If leakage occurs, tighten connections with your adjustable wrench as necessary. If problems persist, contact Customer Service



304 Stainless Steel Polished



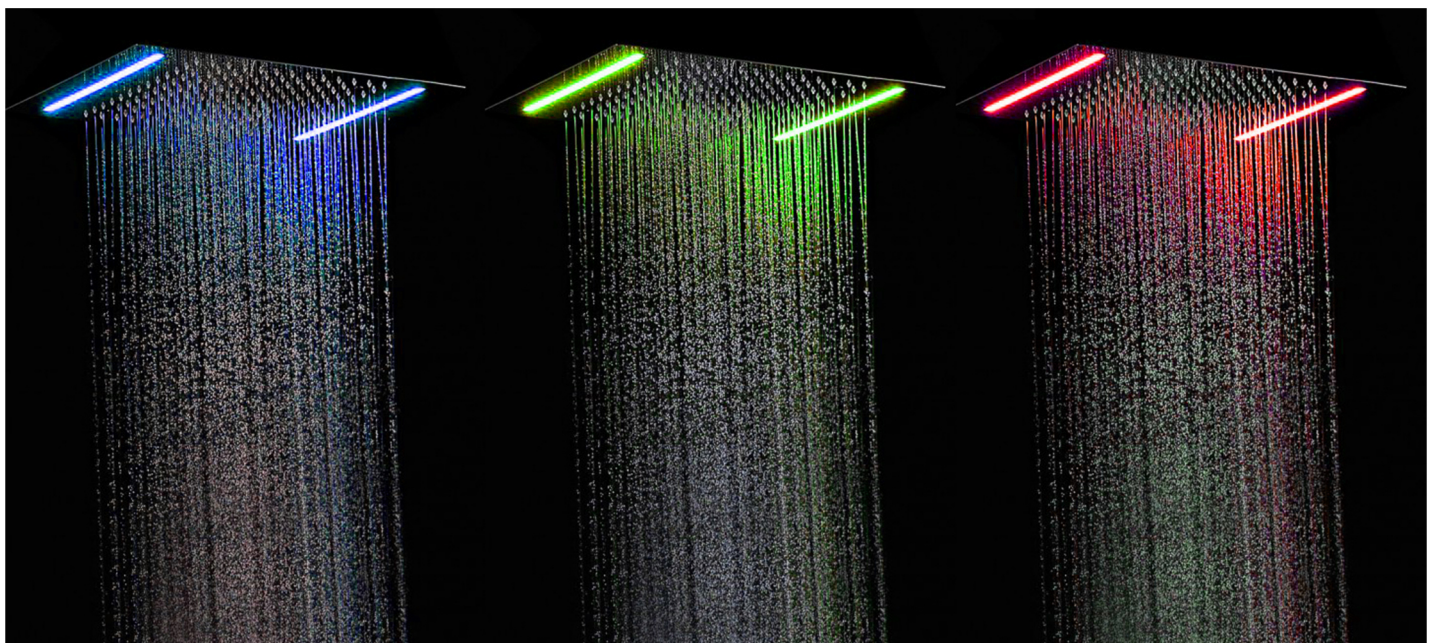
External Power Source: 200v transform into 12v

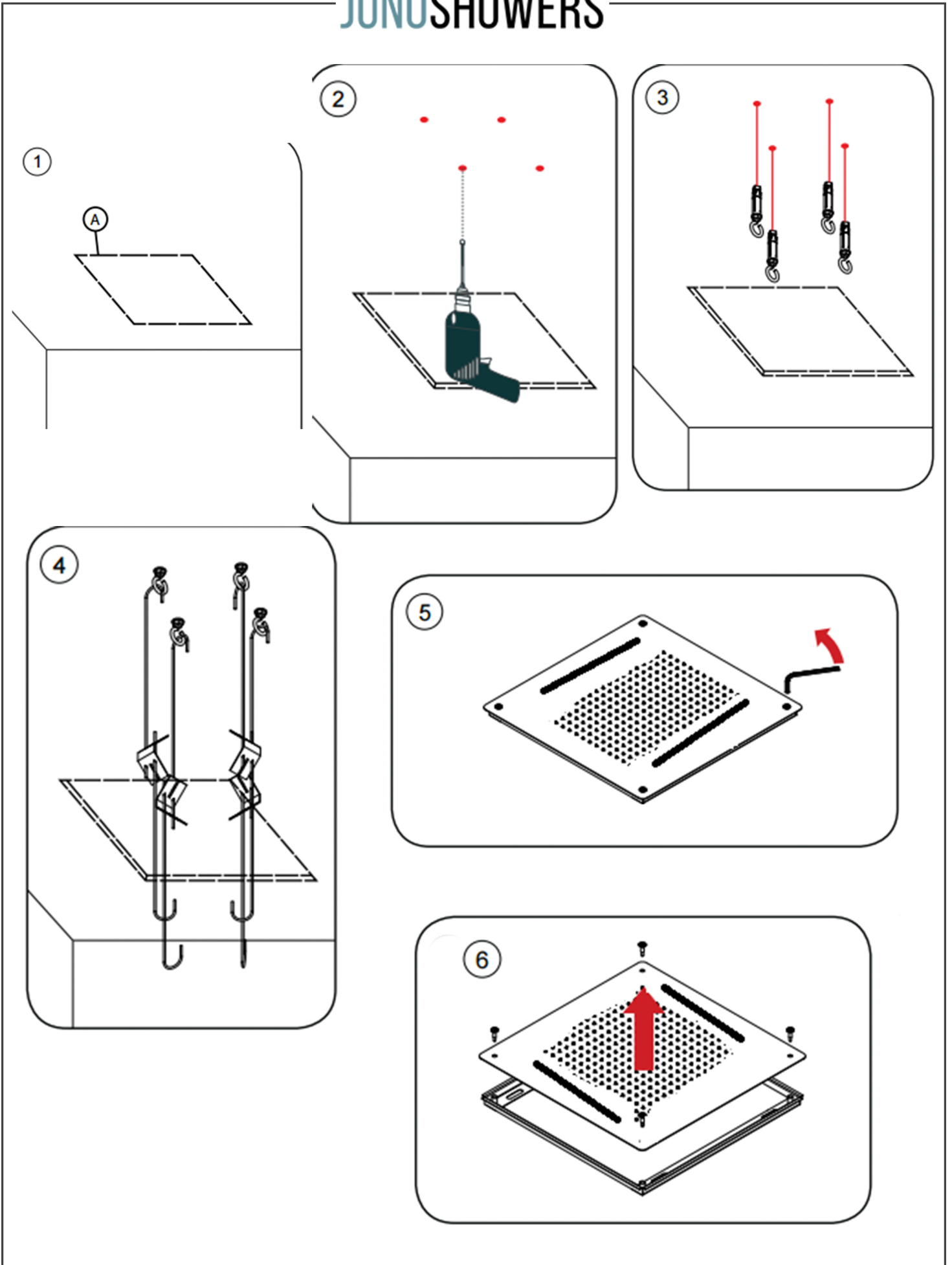


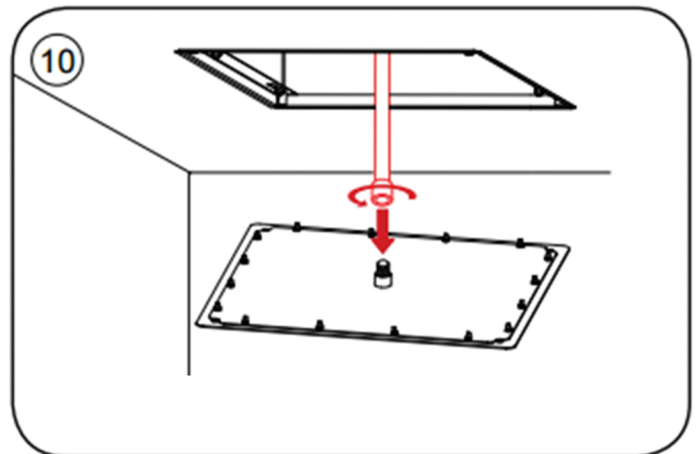
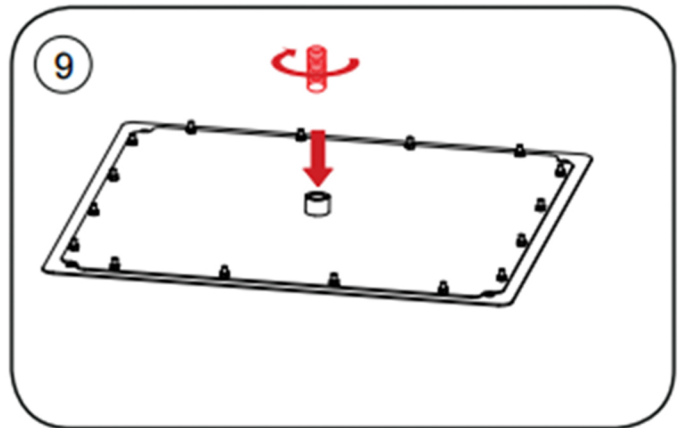
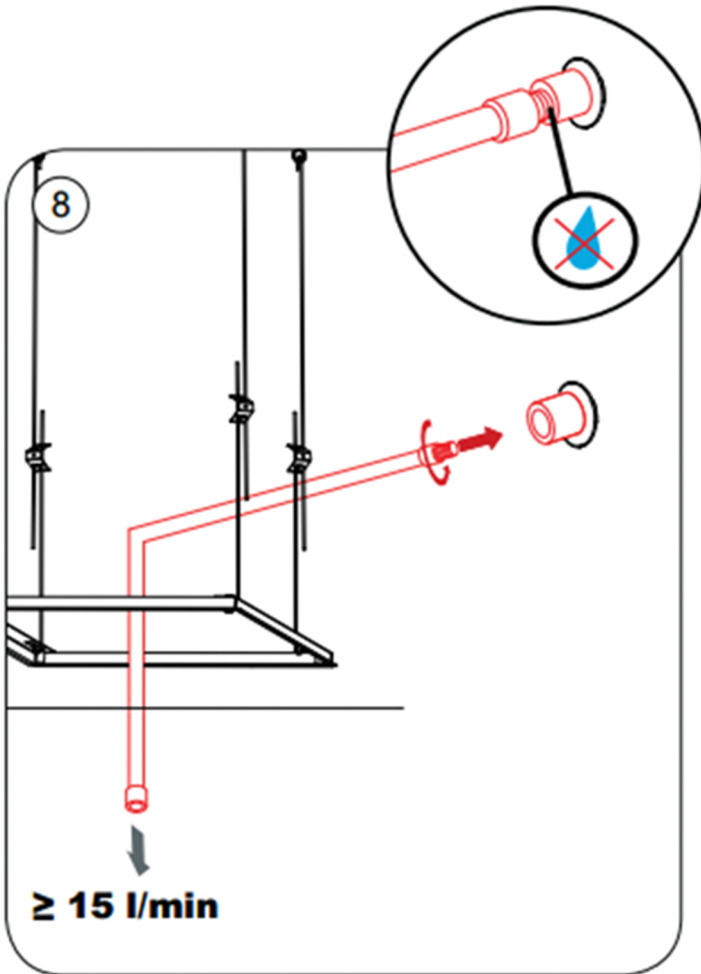
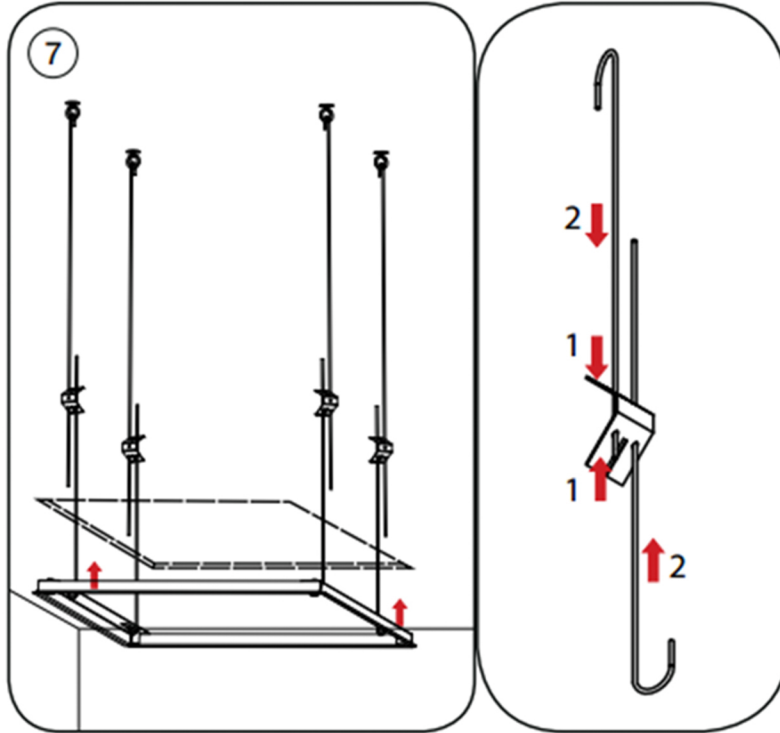
165 Water Outlet

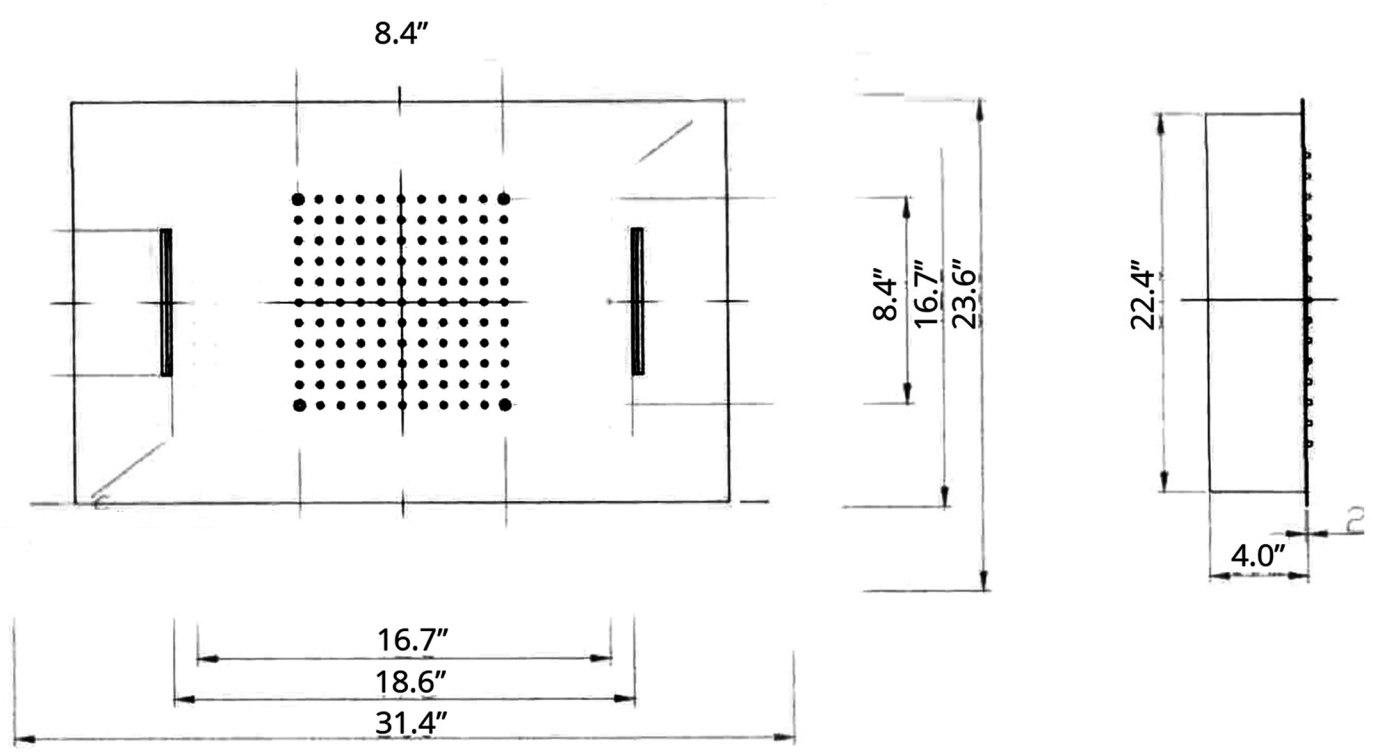
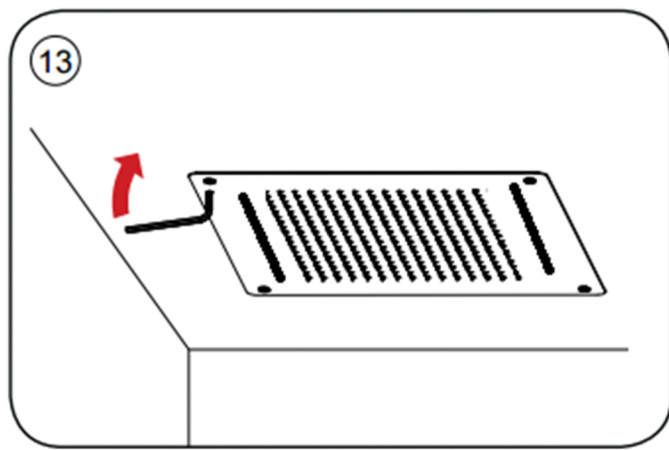
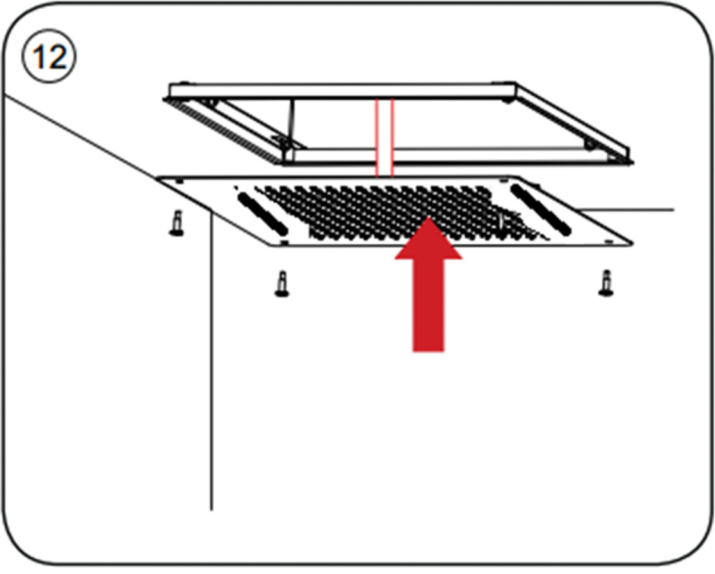
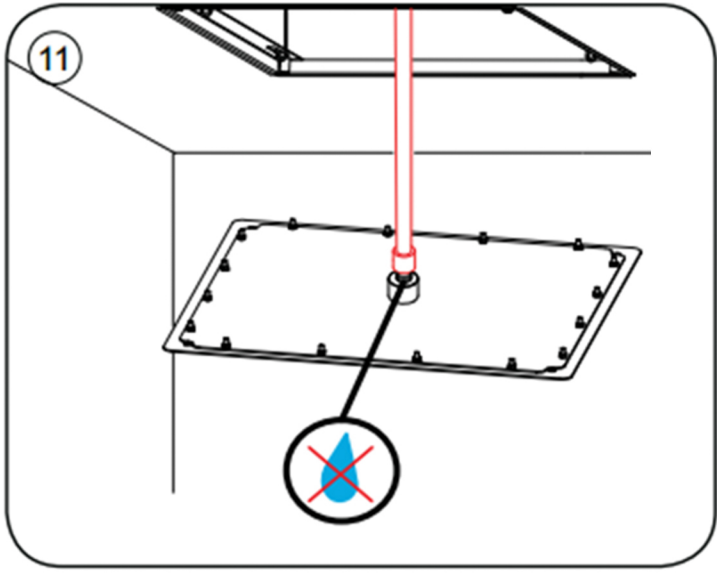
**Uniformity Water Outlets
Using Easy Clean
Silicon Nozzle**

**Automatic decontamination
silicone nozzle**



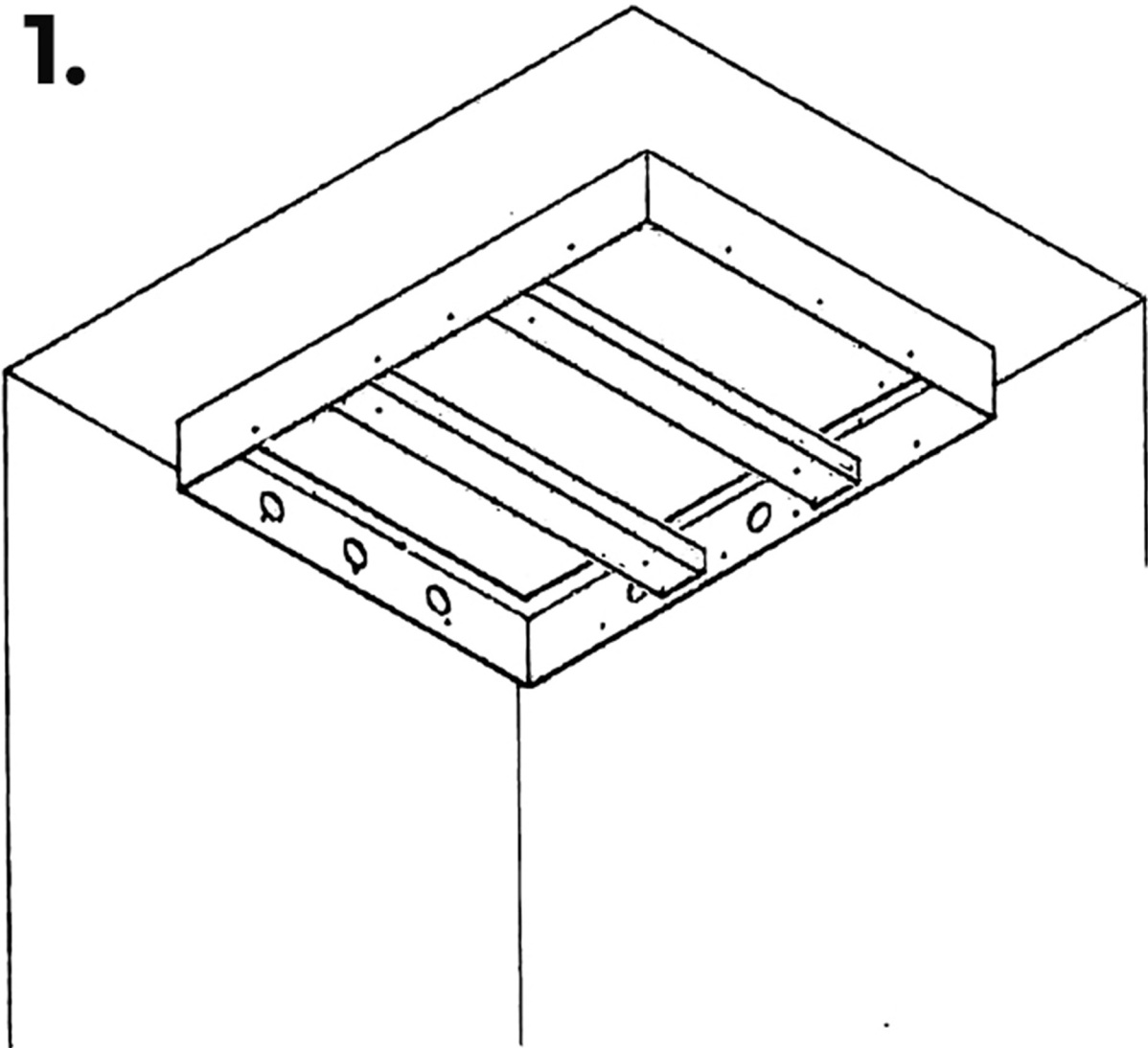






Installation

1.



According to the size of shape on the mounting bracket check the location of the installed in ceiling.

Attention:

Opened packages, check the goods, if everything ok.
Check the size of connector and the thread size of watertube connector in wall.

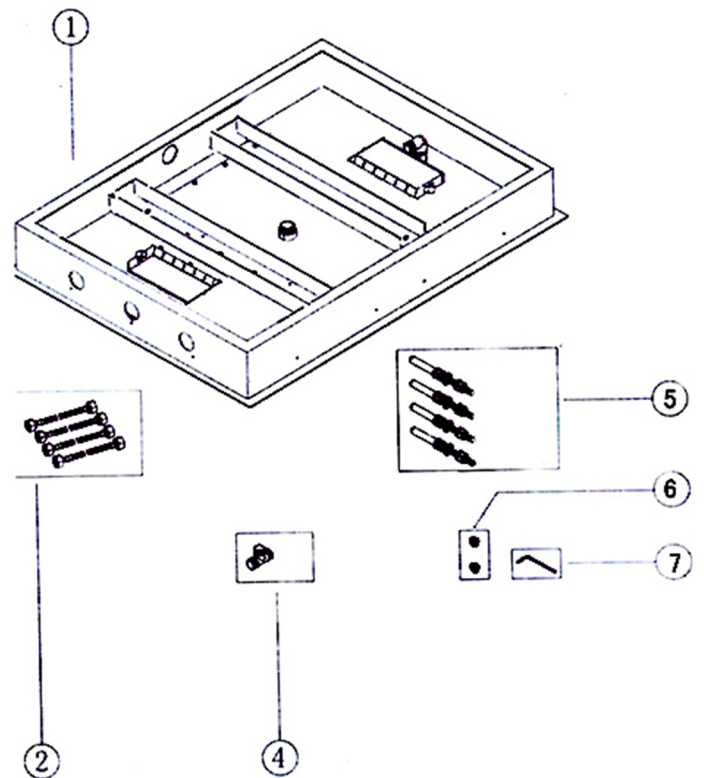
Cleaning watertube before install.

Pay attention to temperature, don't over than 70° C

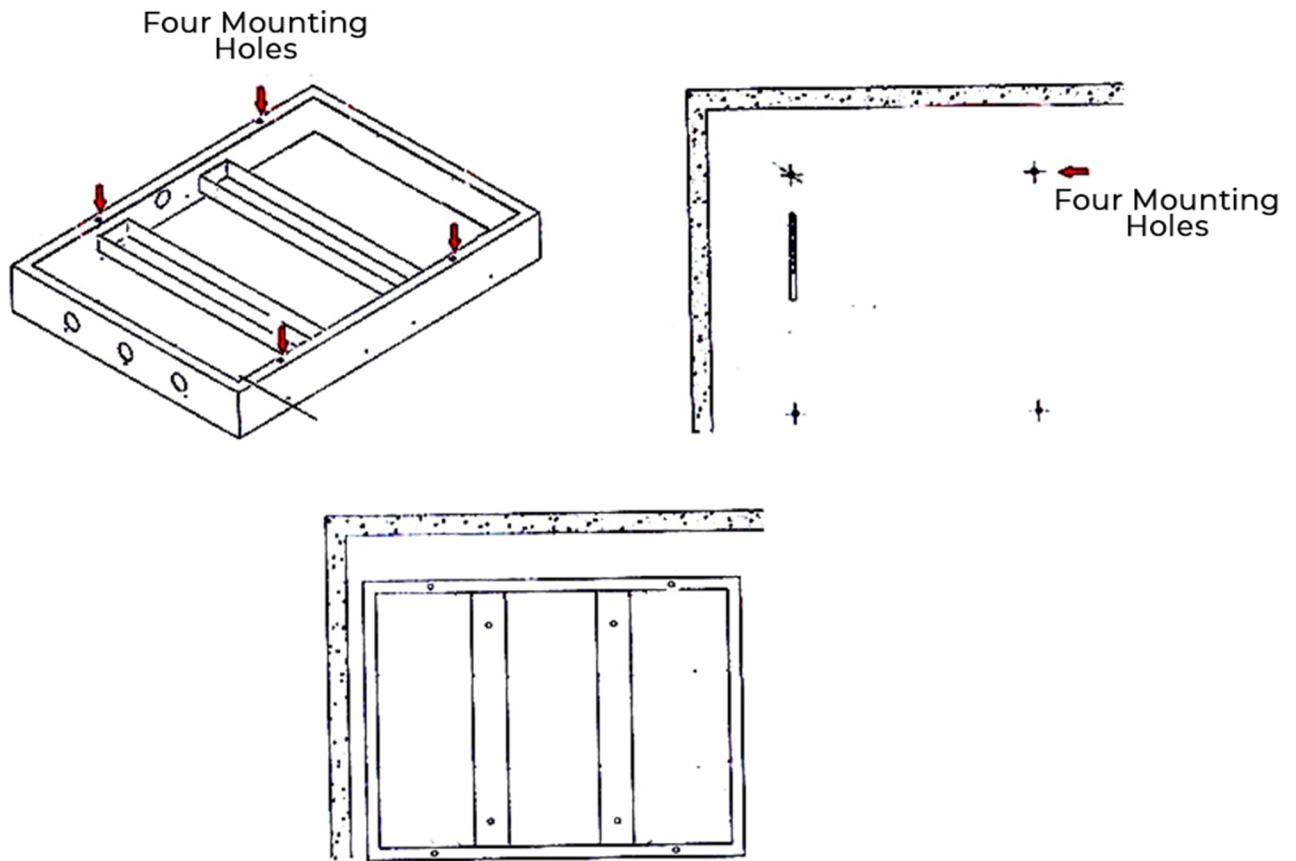
Water pressure: 0.05 Mpa ~ 0.5 Mpa

shower head lists

Nos.	lists	Qty
1	shower head	1
2	300mm showerhose	4
3	Tee joint	1
4	Expansion bolt	4
5	G1/2 凸 filter net	2
6	H4 inner hexagon	1

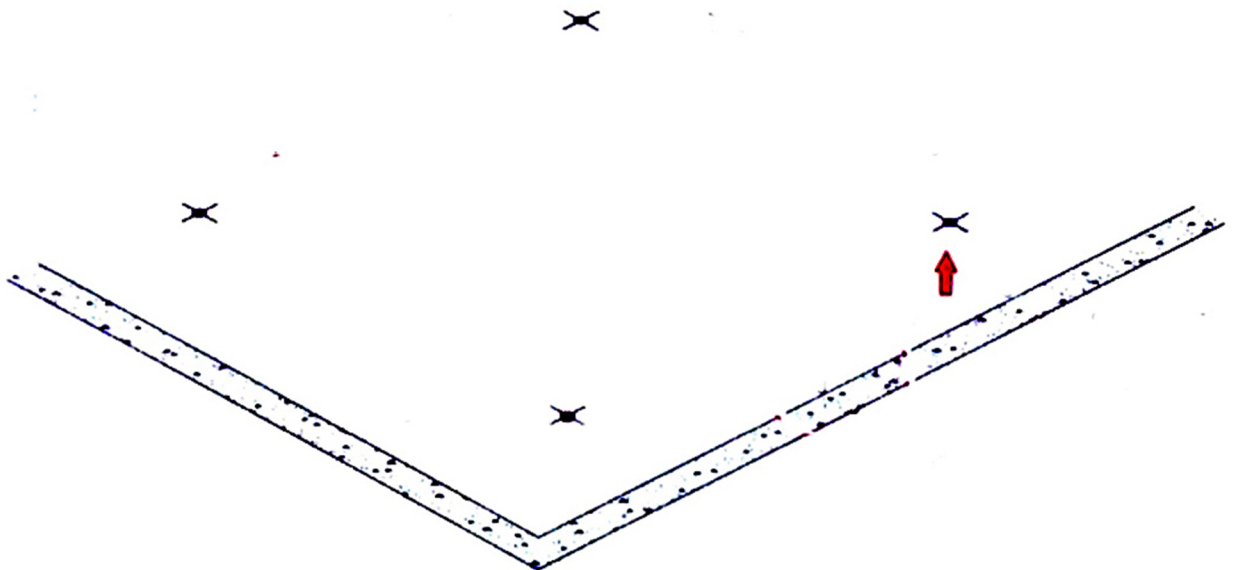


2.

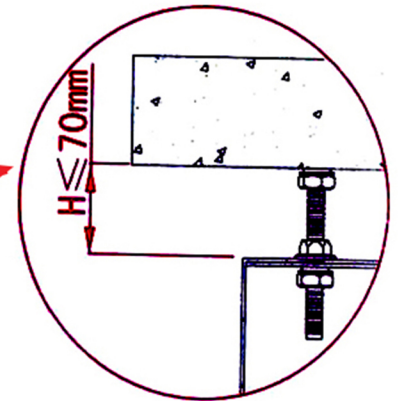
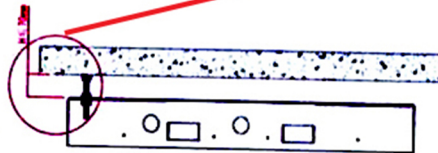
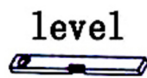
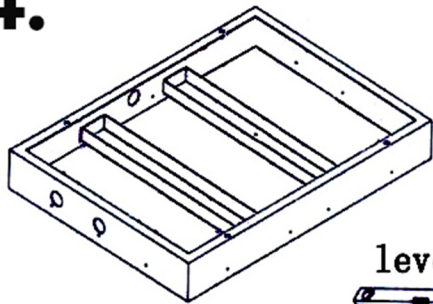


According to the four mounting holes on the mounting bracket, use Electric drill play mounting holes.

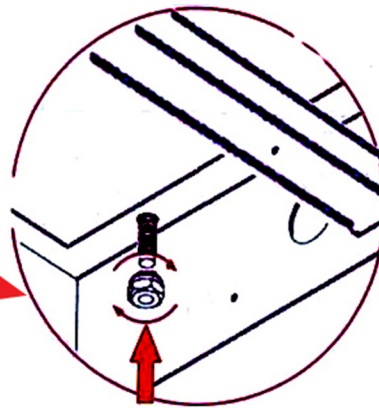
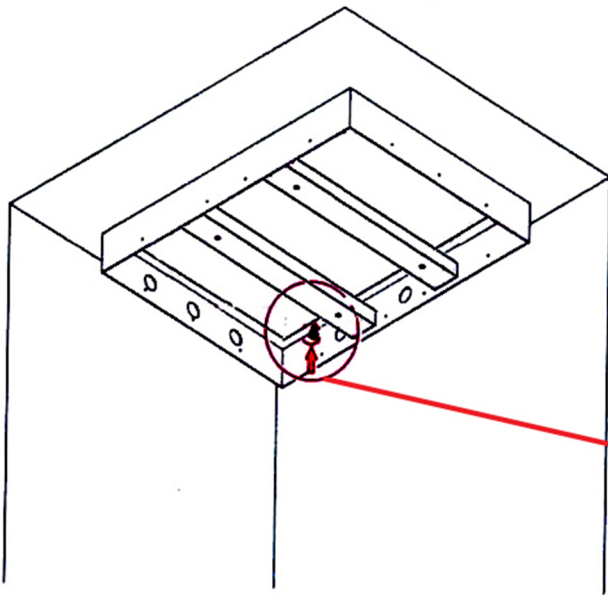
3.



4.

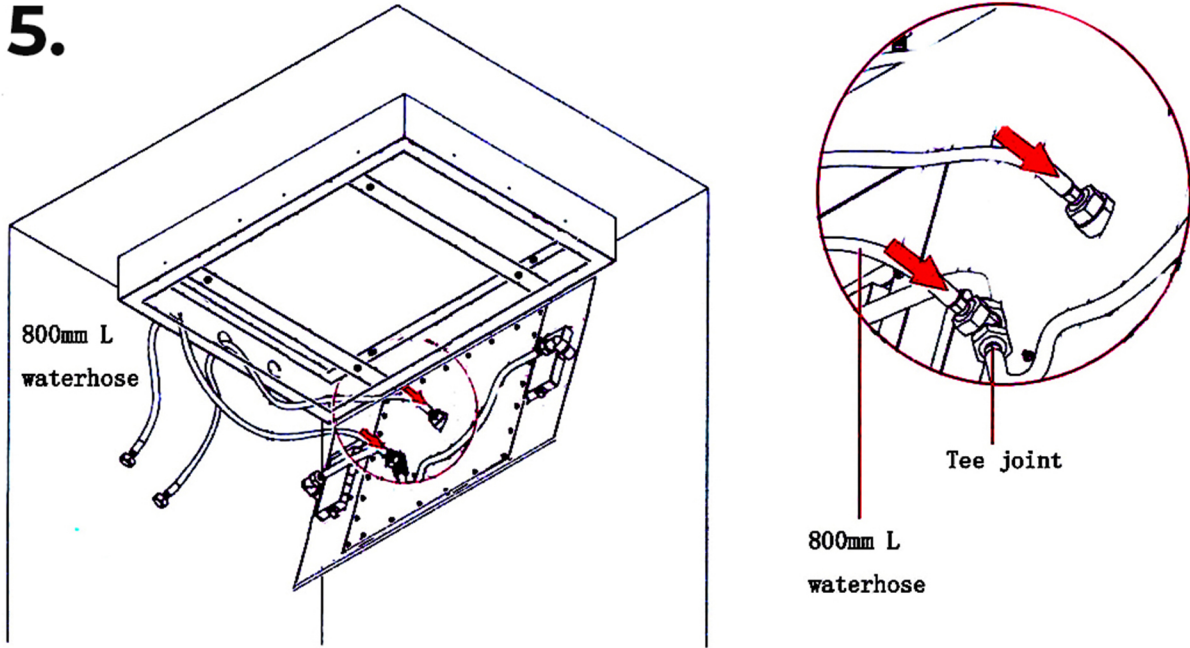


Through the two hexagonal nuts adjust the distance between the mounting bracket and the ceiling, and keep the mounting bracket on level.



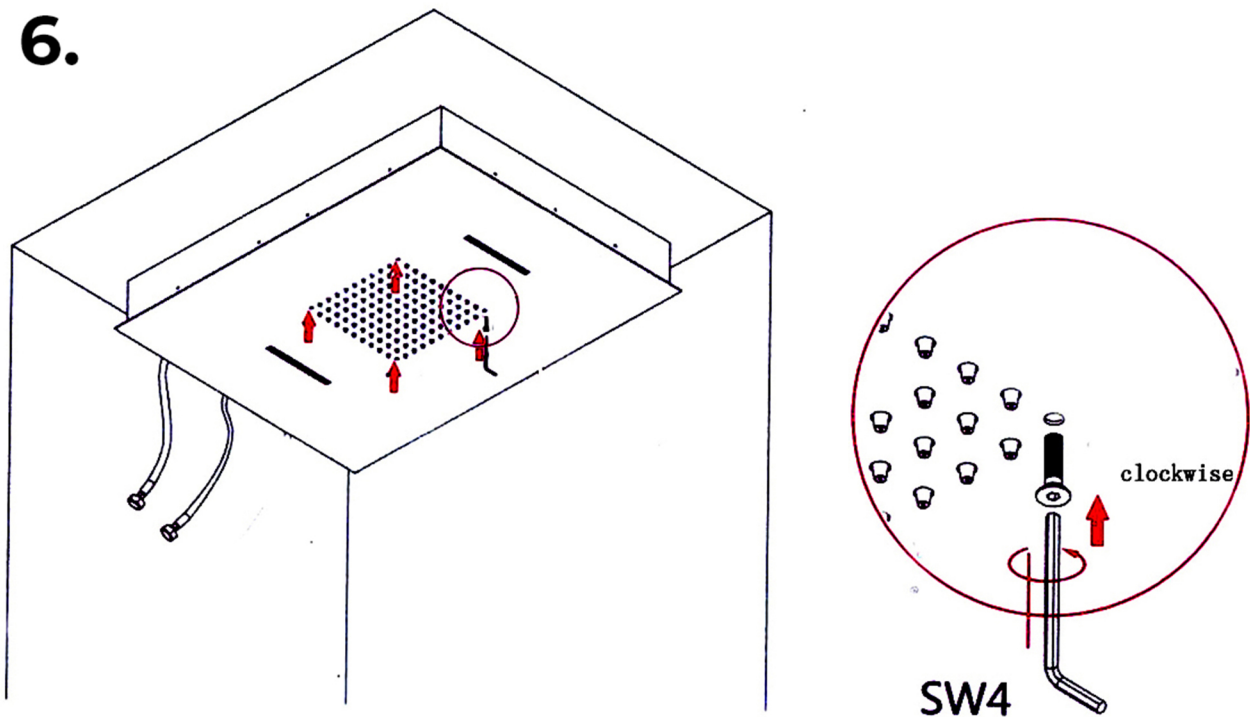
Use explosion screw fixed mounting bracket on ceiling, pay attention to the explosion screw can adjust the height, and use level adjust the mounting bracket to level.

5.



Connect 1 pcs waterhose to 1 Tee Joints and G1/2, G1/2 joint in the middle, then put another side of the shower hose through the hole of shower head size.

6.



Install the decorative panel, use SW4 hexagon wrench tighten 4 screws



Self Cleaning Silicon Nozzle

Prevent blockage, remove
dirt design

SPA Fun in natural oxygen SPA
under a 50cm luxury shower
head with 165 water outlets
gently spraying out droplets
mixed with oxygen as in a forest,
a farewell to a day's tiredness
through bathing.

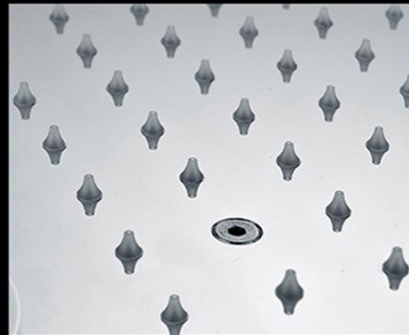


**RAIN
SHOWERHEAD**

Concealed Ceiling Modern Shower
304 Stainless Steel - Polished
19.7"x14.2"x2.8" inch



Adapter: 100-250 V to 12V
Water and Electricity Separating



Self-cleaning Silicone Nozzles